

Rav4

PRINSU LADDER



Applications installation instructions

These installation instructions apply to the following Prinsu products

5th Gen Rav 4 | 2019-Current

IMPORTANT!

THANK YOU for purchasing this Prinsu product. Please read through this entire document before proceeding with installation. If you are not confident in your mechanical skills, please seek the help of a professional to perform the installation. Check your packages immediately upon arrival to ensure that everything listed is included, and to check for damage during shipping. ***If anything is missing or damaged, or if you need technical assistance with any aspect of this installation, call Prinsu at (208) 528-0664 as soon as possible.***

Note***

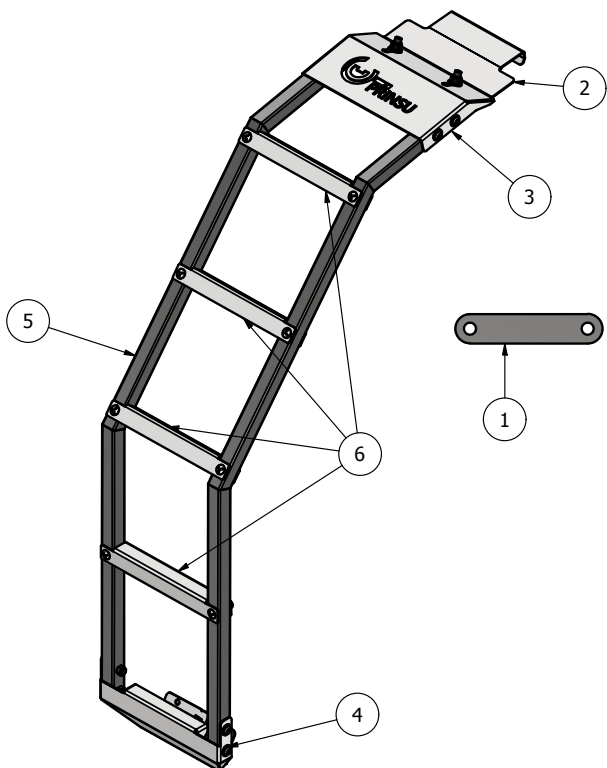
If you have a motorized lift gate, you will have to hold down the lift button for 5 seconds in order to lift the hatch after the ladder is installed. The added weight of the ladder causes the vehicle to think there is an obstruction.

Hardware Included

DESCRIPTION	QTY	TORQ
1/4"-20 x 1-1/2" Steel Carriage Bolt Black Zinc	10	8 ft·lbs
3/8"-16 x 3/4" Steel Carriage Bolt Zinc	2	10 ft·lbs
5/16"-18 x 1-1/2" Stainless Steel Button Head Socket	8	17 ft·lbs
5/16"-18 x 0-3/4" Steel Hex Cap Screw Yellow Zinc	2	17 ft·lbs
1/4" x .557" - .567" x .044" - .052" Steel Flat Washer	10	N/A
1/2" x x Steel flat Washer	2	N/A
5/16" x 3/4" x 0.040" Stainless Steel Flat Washer	8	N/A
3/8 Round Caplug - Black	20	N/A
5/16" x 7/8" x .083" Steel Flat Washer	2	N/A
1/4"-20 Steel Nylon Insert Black Zinc	10	N/A
3/8"-16 Steel Nylon Insert Flange Black Zinc	2	N/A
5/16"-18 Stainless Steel Nylon Insert n/a	8	N/A

Est. Installation Time

30 Minutes



PARTS LIST

ITEM	QTY	PART NO.	DESCRIPTION
1	1	0002957	BOTTOM HATCH MATING PLATE
2	1	0002951	TOP LADDER MOUNTING PLATE
3	1	0002955	LADDER TOP CAP
4	1	0002952	BOTTOM MOUNTING BRACKET
5	2	0002956	SIDE RAIL ASSEMBLY
6	4	0002954	LADDER RUNG

Tools Required

Plastic pry tools
 10mm socket
 7/16 wrench/ratchet
 3/16 allen
 1/2 wrench/ratchet
 9/16 wrench/ratchet
 Drill and drill bits

IMPORTANT!

All products built and designed by Prinsu Design Studio are intended for off-road use and should be assembled, installed, and used according to Prinsu Design Studio's recommendations. Prinsu Design Studio products should be used safely with good judgment towards others and the environment. By installing Prinsu Design Studio Products on your vehicle you assume all liability. Prinsu Design Studio will not be held liable for damages or loss associated with the installation or use of its products.

Be smart, use good judgement, don't overload your vehicle to the point of inferior handling and maneuverability!

*** WARNING***

Neither the seller nor the manufacturer will be liable for any loss, damage, or injury directly or indirectly arising from the use of or inability to determine the use of these products. Before using, the user shall determine the suitability of the product(s) for its intended use(s), and the user shall assume all responsibility and risk in connection therewith.

Note for Dealers and Installers:

Read through all instructions before starting install. It is your responsibility to ensure instructions are given to the end user or client.

Sequence of Steps

1. Remove the cargo hatch interior panel.

- Remove the plastic cover on the handles as shown in the photo below.
- Remove the 10mm bolts in the handle
- Using a plastic pry tool or flat head screwdriver pry up the cargo hatch interior panel. It is held in place by plastic clips, be careful not to damage or break them.

2. Assemble the ladder rungs and prep bracketry.

- Line up the desired rungs on the ladder side rails and bolt in using the black carriage bolts and nyloc nuts. Tighten down with a 7/16 wrench or socket.
- Install Double sided to the back of the ladder top plate.
- Install the rubber pad in the V notch of the lower ladder bracket (where the bracket will contact the bottom of the vehicle cargo hatch).

3. Install lower mount bracket

- Measure 7 7/8" from the edge of the latch and make a mark. The image below shows the location of the first hole to be drilled.
- Hold the lower ladder bracket in place and line up the first hole with your 7 7/8" mark and mark the other hole to be drilled.
- Drill the two holes to 5/16"
- Drop the nut rail insert into the cargo latch and line it up with the holes you drilled. Using the 5/16" bolts secure the lower bracket to the nut rail insert.



4. Install top plate

- The image below shows the location of the top plate. Measure $7 \frac{3}{8}$ " from the edge shown in the photo and make a mark, this is where the edge of the top plate will be.
- Thoroughly clean the area where the top plate will be installed. Peel back the double sided tape and install the top plate. Ensure the "hook" is firmly against the cargo hatch so that the top plate doesn't contact the vehicles roof when the hatch is raised and lowered.



Now re-install the ladder and tighten down remaining bolts, also reinstall the interior panels. Place the black plastic caps in the unused ladder rung holes.

WARRANTY

PRINSU DESIGN STUDIO will warranty all PRINSU DESIGN STUDIO manufactured parts for a LIFETIME of use. This limited Lifetime Warranty is effective for as long as the original retail purchaser owns the product. This warranty terminates when the original retail purchaser sells or otherwise transfers the product to any other person. Each manufactured product must be installed following PRINSU DESIGN STUDIO'S recommended fitment and installation procedures. Any customization or modification to the original product design, functionality, or use, either by said customer or by PRINSU DESIGN STUDIO voids all warranty eligibility. It is the sole discretion of CBI Offroad to determine warranty eligibility. Subject to the limitations and exclusions described in this warranty, PRINSU DESIGN STUDIO will remedy defects in materials or workmanship by repairing or replacing, at its option, a defective product without charge for parts. In addition, PRINSU DESIGN STUDIO may elect, at its option, not to repair or replace a defective product but rather issue to a purchaser a refund equal to the purchase price paid for the product or a credit to be used toward the purchase of a new PRINSU DESIGN STUDIO product. No warranty is given for defects caused by normal wear and tear, cosmetic rust, scratches, accidents, unlawful vehicle operation, products used for racing or competition, or modification of, or any types of repair of, a PRINSU DESIGN STUDIO manufactured product. The PRINSU DESIGN STUDIO Warranty does not include the powder coated finish. No warranty is given for defects resulting from conditions beyond PRINSU DESIGN STUDIO'S control including, but not limited to, misuse, neglect, overloading, improperly maintained or failure to assemble, mount or use the product in accordance with PRINSU DESIGN STUDIO'S written instructions or guidelines included with the product or implied use made available to the purchaser.

DISCLAIMER OF LIABILITY REPAIR OR REPLACEMENT OF A DEFECTIVE PRODUCT OR THE ISSUANCE OF A REFUND OR CREDIT (AS DETERMINED BY PRINSU DESIGN STUDIO) IS A PURCHASER'S EXCLUSIVE REMEDY UNDER THIS WARRANTY. DAMAGE TO A PURCHASER'S VEHICLE, CARGO AND/OR TO ANY OTHER PERSON OR PROPERTY IS EXCLUDED. THIS WARRANTY IS EXPRESSLY MADE IN LIEU OF ANY AND ALL OTHER WARRANTIES, EXPRESS OR IMPLIED, INCLUDING THE WARRANTIES OF MERCHANTABILITY AND FITNESS FOR A PARTICULAR PURPOSE. PRINSU DESIGN STUDIO'S SOLE LIABILITY TO ANY PURCHASER IS LIMITED TO THE REMEDY SET FORTH ABOVE. IN NO EVENT WILL PRINSU DESIGN STUDIO BE LIABLE FOR ANY LOST PROFITS, LOST SALES, OR FOR ANY CONSEQUENTIAL, DIRECT, INDIRECT, INCIDENTAL, SPECIAL, EXEMPLARY, OR PUNITIVE DAMAGES OR FOR ANY OTHER DAMAGES OF ANY KIND OR NATURE



792 E Iona Rd.
Idaho Falls, ID 83274
cbioffroadfab.com
208.528.0664