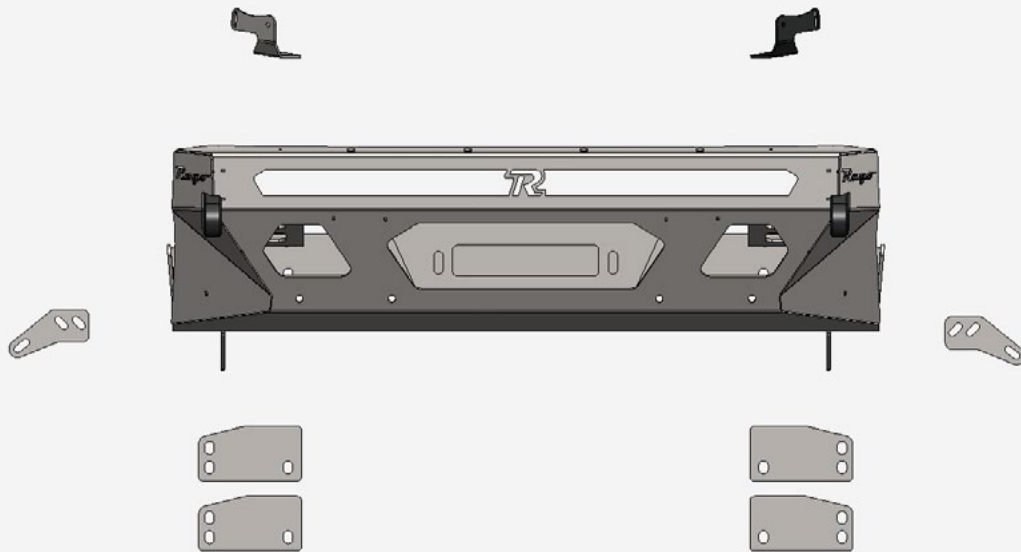


CENTER MOUNT FRONT BUMPER WITH WINCH 2014-2024/TOYOTA 4RUNNER F6603630801NA



TOOLS REQUIRED

- 10mm, 14mm, 19mm, 9/16 sockets
- 10mm, 14mm, 19mm, 9/16 wrenches
- Pushpin Puller or Flathead Screwdriver
- Tape Measure
- 7/32 Hex

SKILL LEVEL

- Medium/Skilled

TIME REQUIRED

- Approximately 2 Hour

WARNINGS/CAUTIONS BEFORE STARTING INSTALLATION

-BEFORE YOU INSTALL THIS KIT-

Read and understand all instructions, warnings, cautions, & notes contained in this installation instruction guide. Consult your vehicle owner's manual for proper disconnection of electrical and lifting of vehicle if required for installation of this product.

This install may require some technical skills and knowledge of basic mechanical work. If you do not feel that you are capable of performing this install please take this product to a trained professional.

After reading this guide please contact us with any questions or concerns before installing product.

Customer Service: 830-896-7571
Rago Fabrication is not responsible for any bodily injury or harm to you or your vehicle as a result of an improper install.

Proper installation of this kit required knowledge of the factory recommended procedures for removal and installation of original equipment components.

We recommend that the factory shop manual and any special tools needed to service your vehicle be on hand during the installation. Installation of this kit without proper knowledge of the factory recommended procedures may affect the

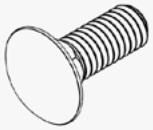
performance of these components and the safety of the vehicle. Inspect all contents of this package to make sure product is not damaged and all installation hardware has been included. If parts are missing from kit, please be prepared to provide the following information:

1. Name of purchase location
2. Bar Code on side of box
3. Date above bar code
4. Date inside box cover

***ALWAYS WEAR EYE PROTECTION
WHEN OPERATING POWER TOOLS***

HARDWARE

A.



3/8-16 X 1" CARRIAGE BOLT

QTY: 8

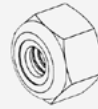
A1.



3/8" FLAT WASHER BLACK

QTY: 10

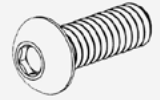
A2.



3/8-16" NYLON LOCK NUT

QTY: 10

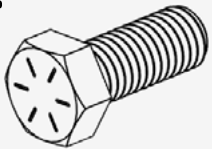
B.



3/8-16 X 1" BUTTON HEAD BOLT

QTY: 6

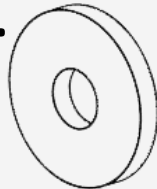
C.



M12-1.25 X 35MM HEX HEAD BOLT

QTY: 2

C1.



1/2" FENDER WASHER

QTY: 2

D.



M8-1.25 X 30MM BUTTON HEAD BOLT

QTY: 2

D1.



M8 FLAT WASHER

QTY: 2

E.



UUS0089

QTY: 4

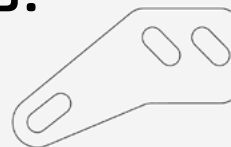
F.



SPL0709

QTY: 4

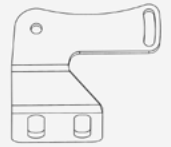
G.



SPL0704

QTY: 2

H.



UUS0068, UUS0068-M

QTY: 2

Reference this page throughout the install



□ STEP 1

Remove the pushpins holding the top cover located on top of the grill using a (flathead).



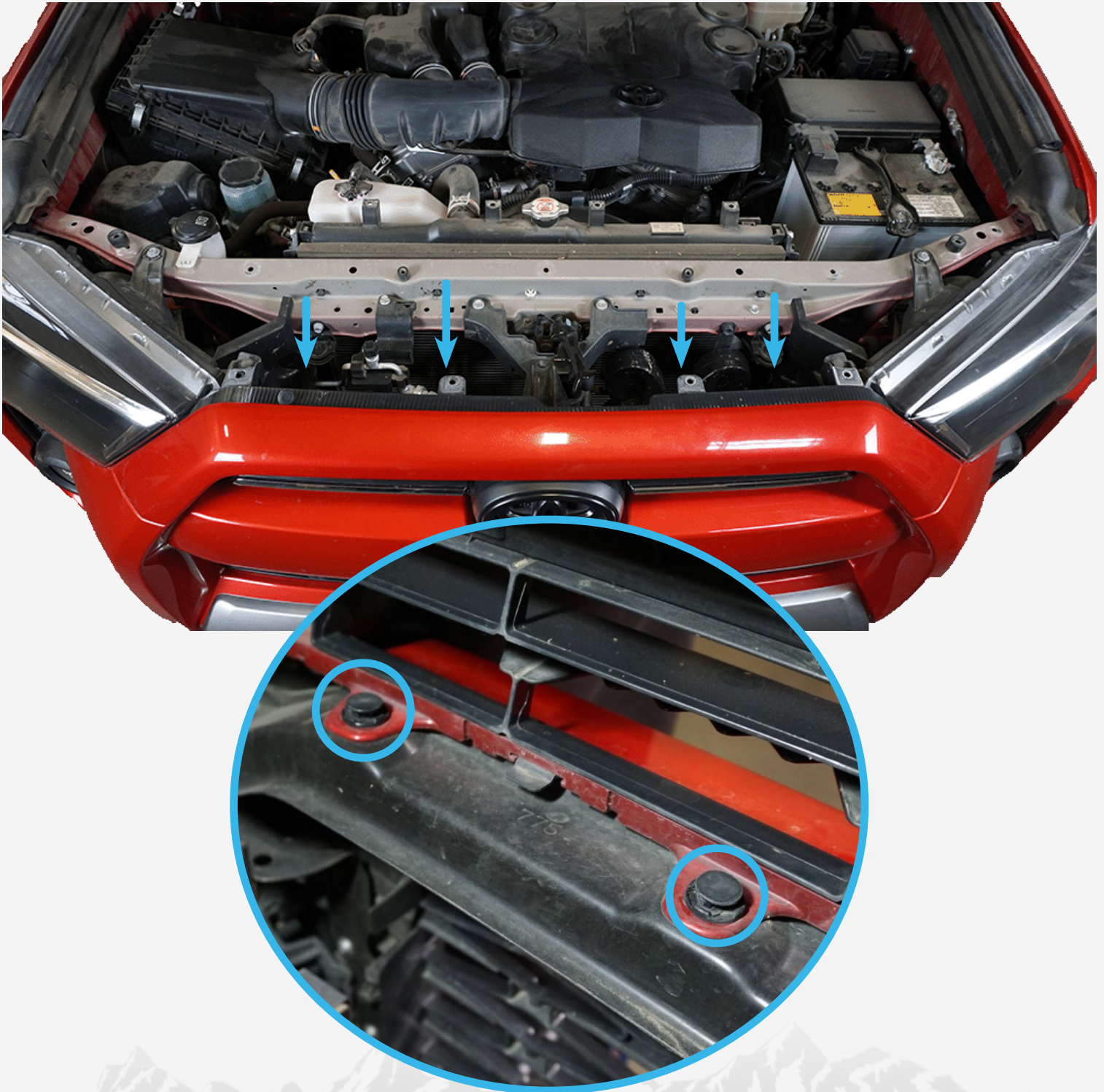
□ STEP 2

Using a (10mm socket), remove the mounting hardware holding the grill located next to the hood latch.



□ STEP 3

Next, Using a (flathead) remove the pushpins located on the inside of the grill as shown below.



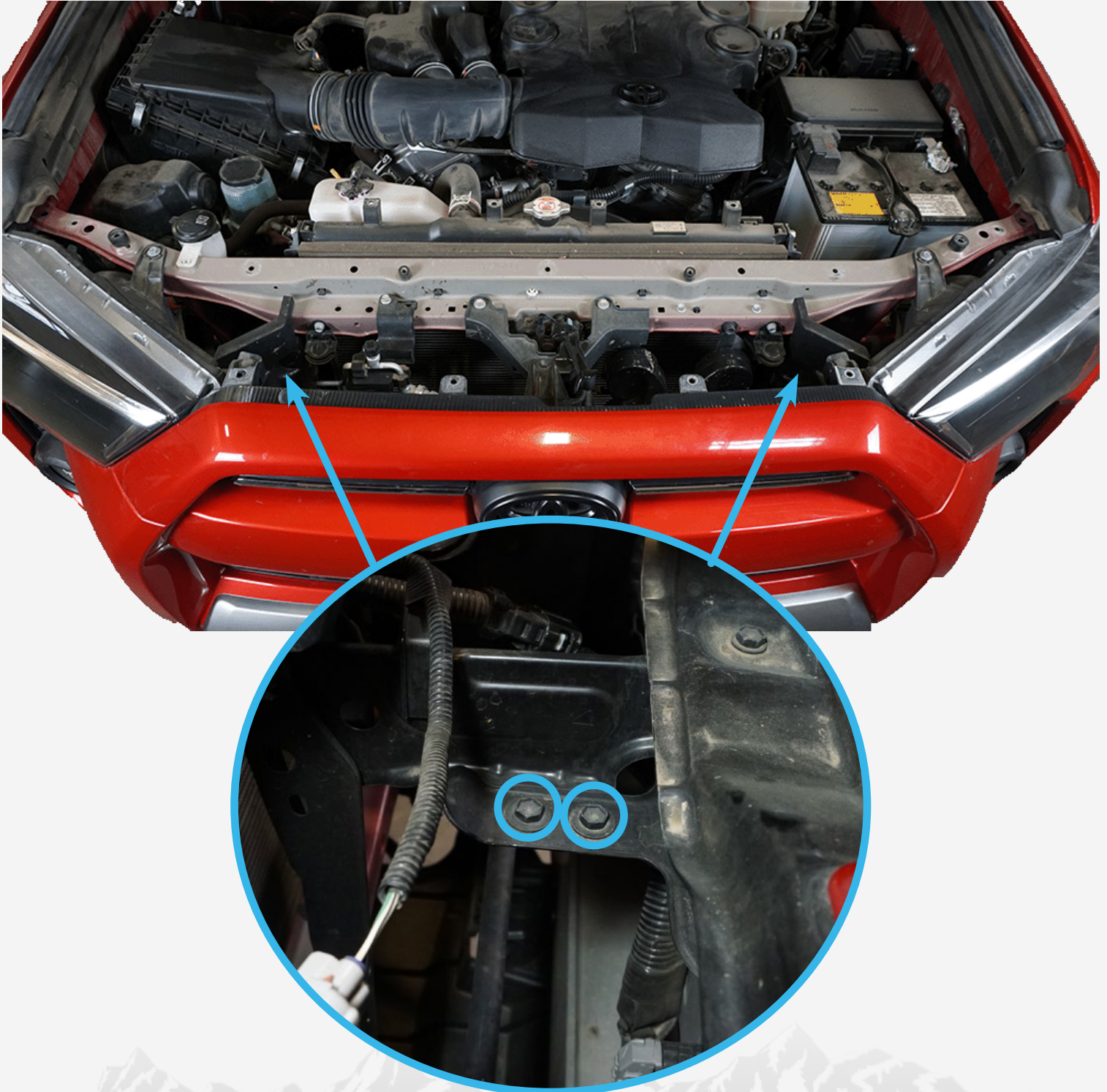
□ STEP 4

Unplug the main wire harness located on the passenger side as shown below.



□ STEP 5

Using a (10mm socket) remove the mounting hardware located on both driver and passenger.



□ STEP 6

Using a (10mm socket) remove the hardware located on the inside of the wheel well.



□ STEP 7

Using a (10mm socket) remove the bottom mounting hardware as shown below.



□ STEP 8

Using a (10mm socket) remove the mounting hardware located on the underside as highlighted below.



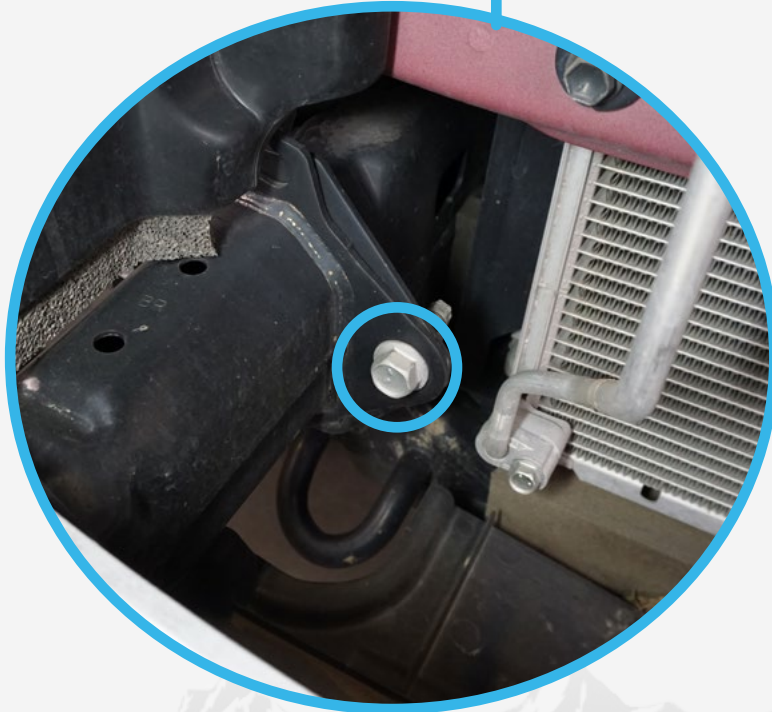
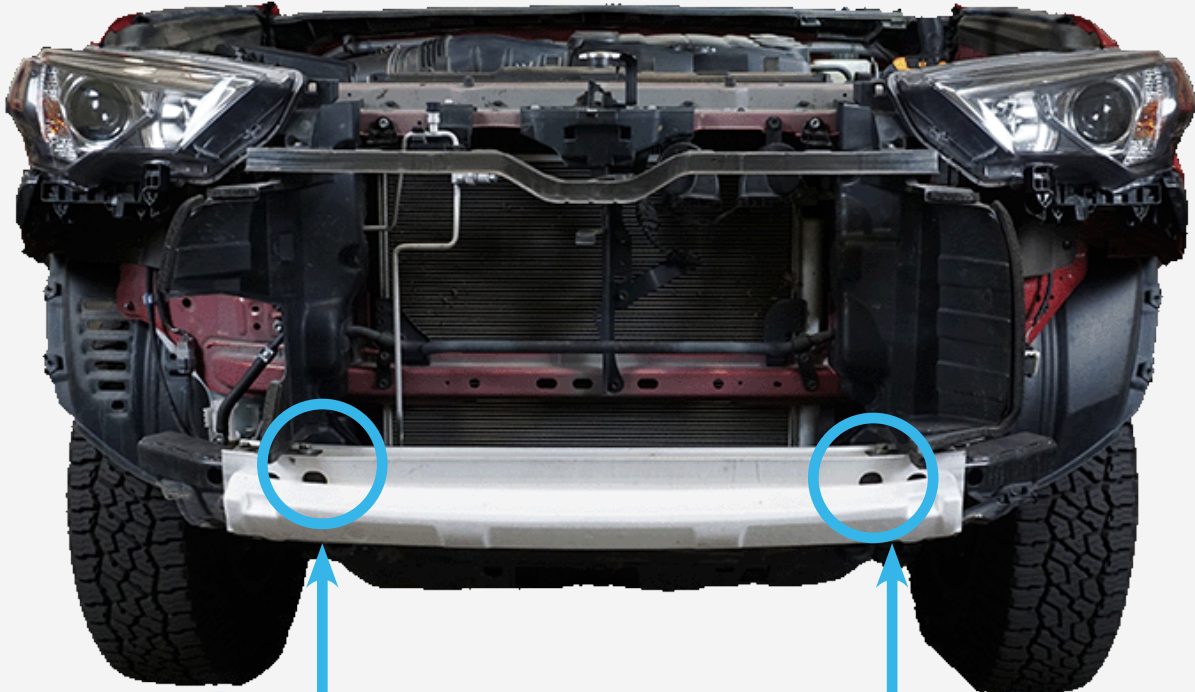
□ STEP 9

You can now remove the grill and valence by pulling the side wings out and with a helping hand set aside.



STEP 10

Remove the crash bar using a (14mm socket). (keep hardware)



STEP 11

Repeat **steps 1-6** to re-install the grill and valence for the next step.



□ STEP 12

Using a (tape measure) mark a line a 1-1/2 from the grill down for the top line. Then using your choice of cutting tools, cut along the edges on the side and top to remove the center piece of the bumper as shown below.



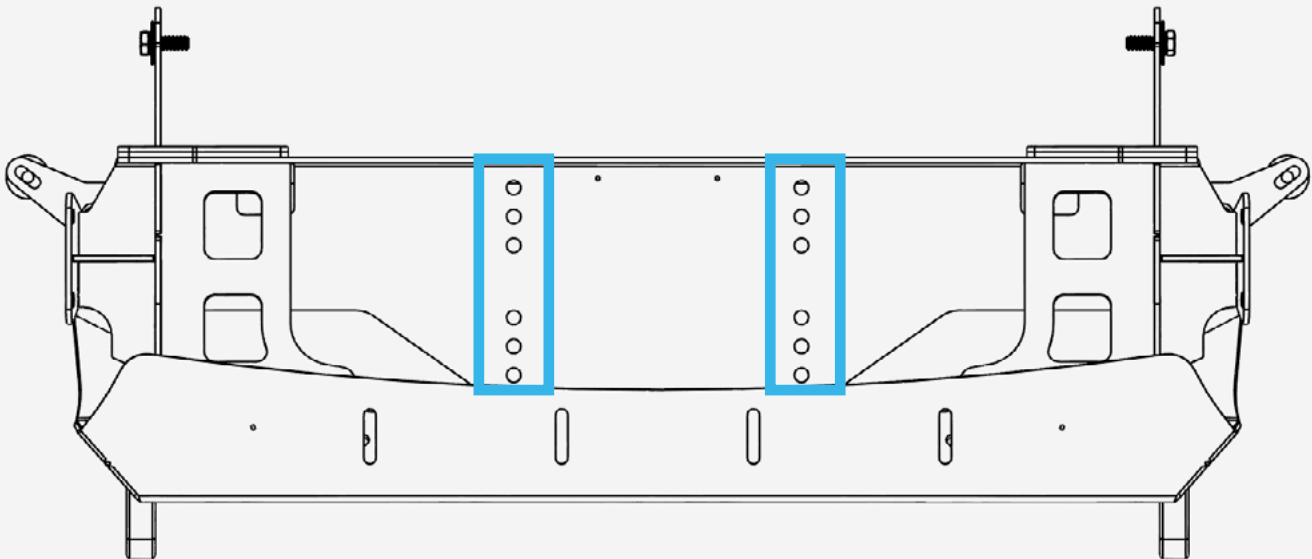
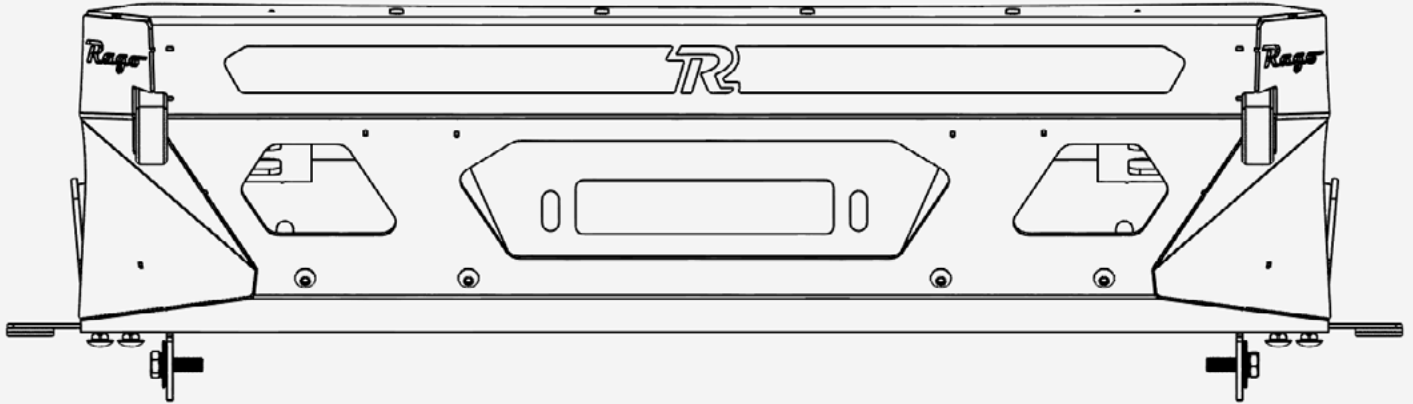
□ STEP 13

Using a (10mm socket) remove the mounting bracket bolt for the cooling line and leave off for the winch.



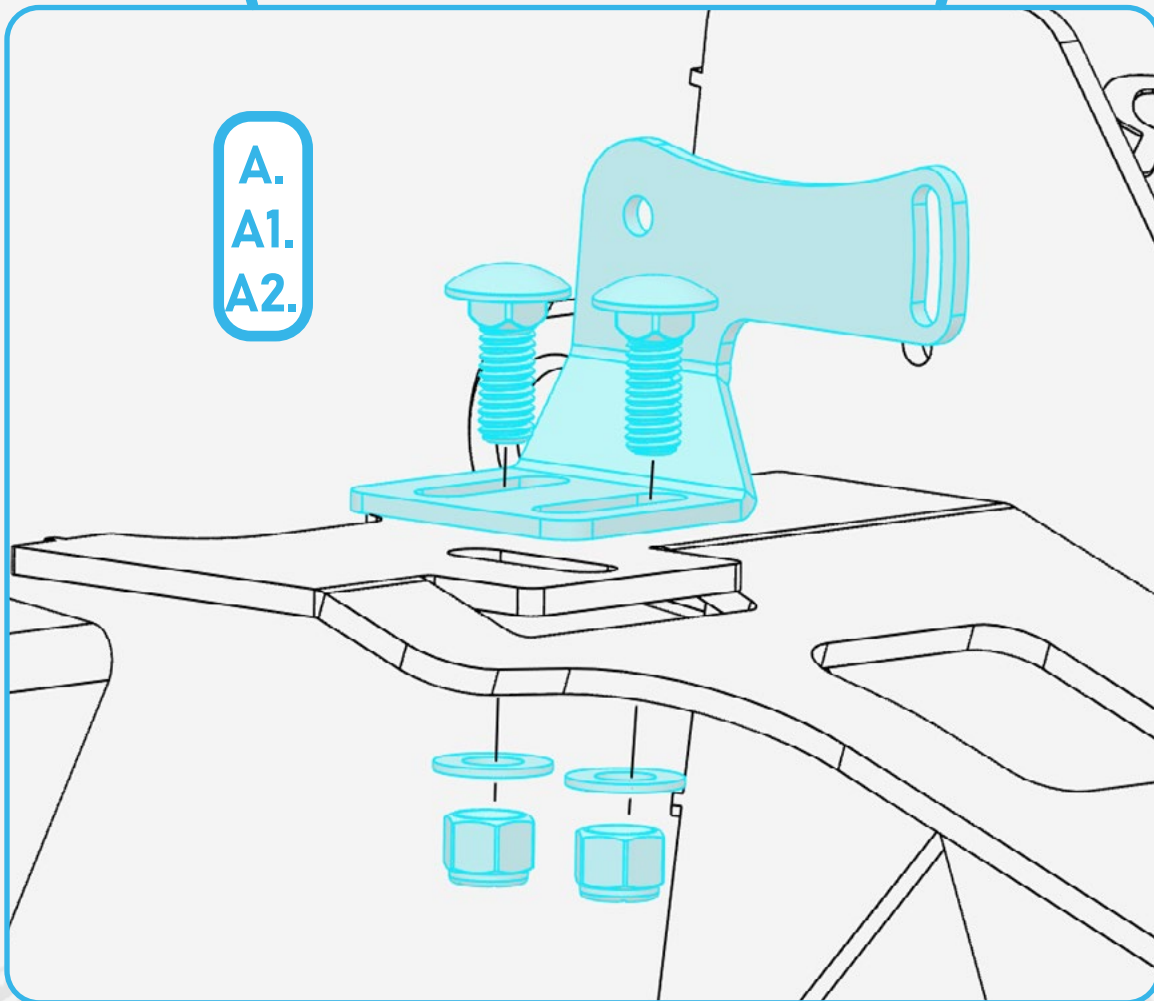
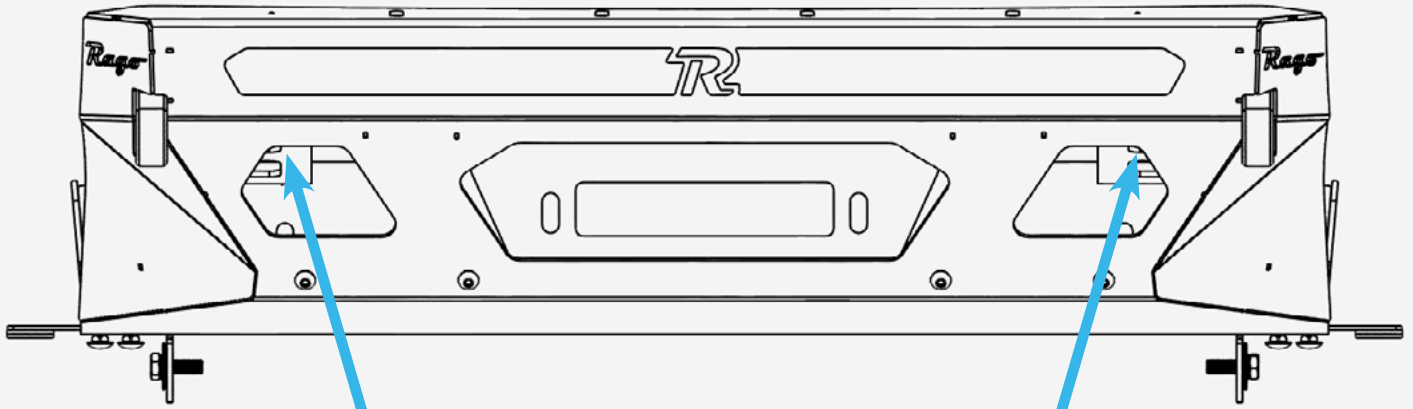
□ STEP 14

Now would be a good time to install the winch of your choice.



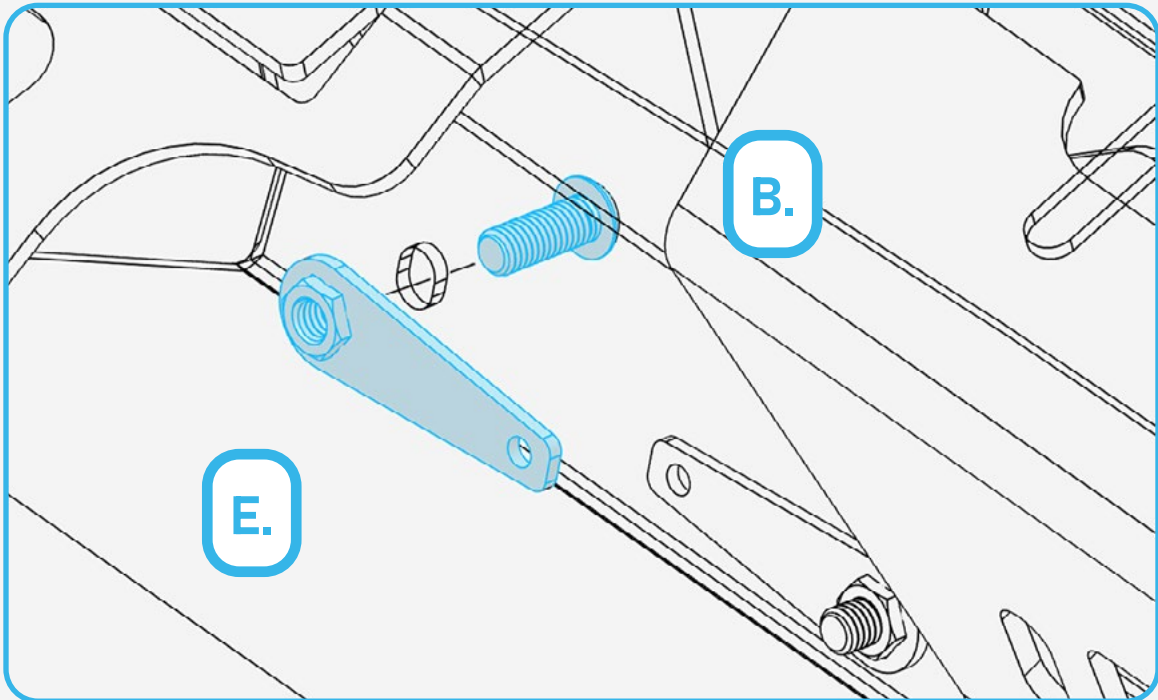
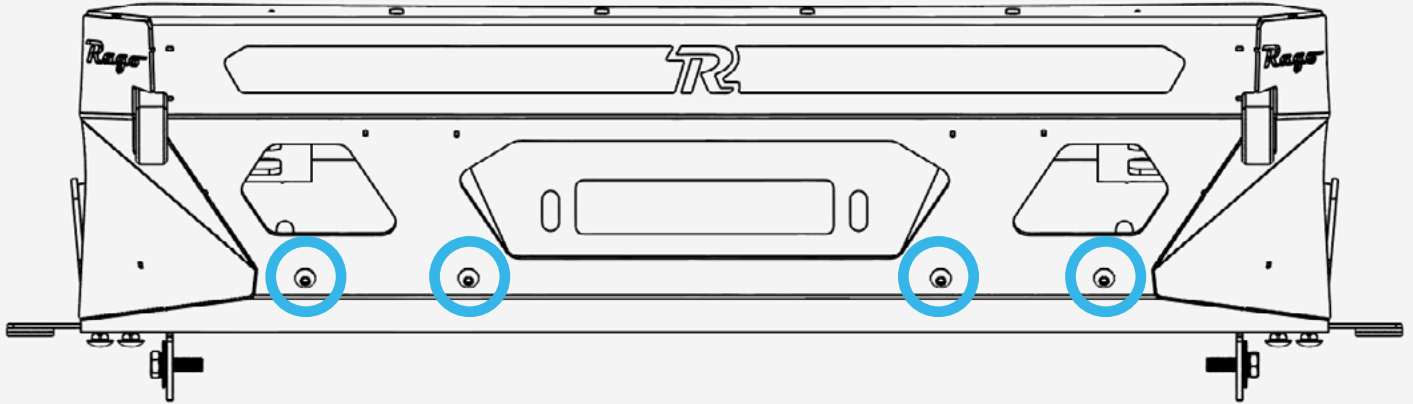
□ STEP 15

Install the (H) light brackets with the provided (A, A1, A2) hardware using a (9/16 wrench).



□ STEP 16

With the provided **(E)** flag nuts, install the **(B)** hardware in the mounting holes using a (7/32 allen) if you did not purchase a skid plate.



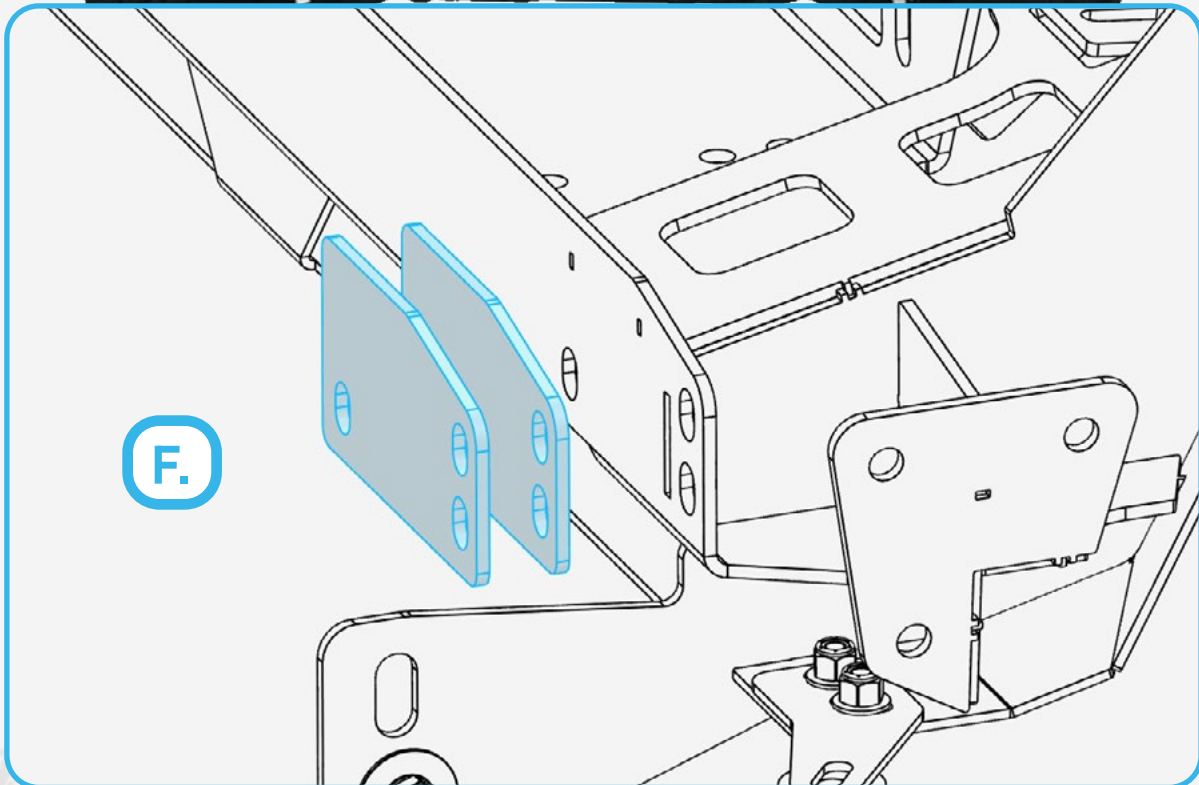
□ STEP 17

You can now install the bumper with the hardware removed from **step 10** using a (14mm socket).



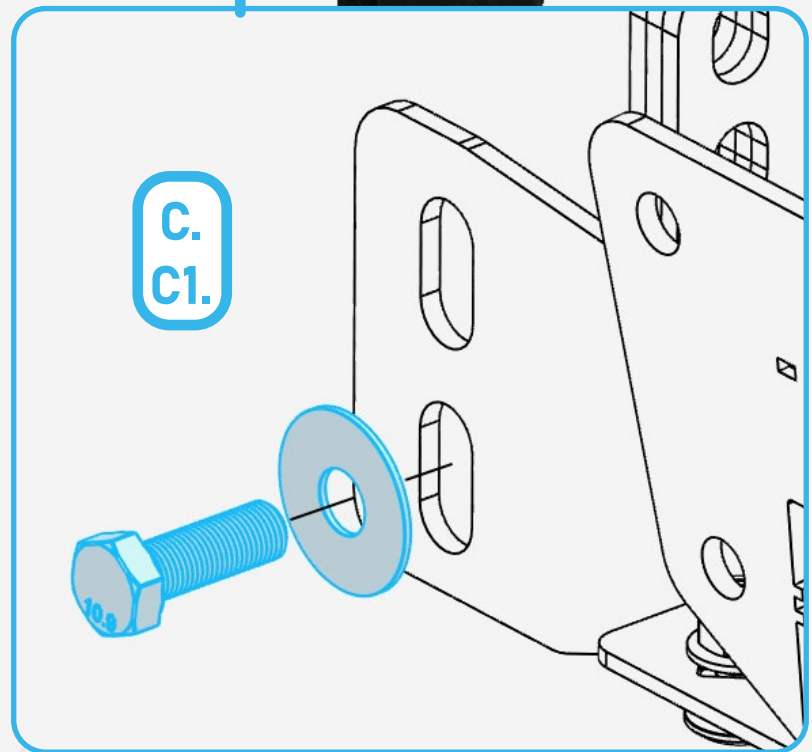
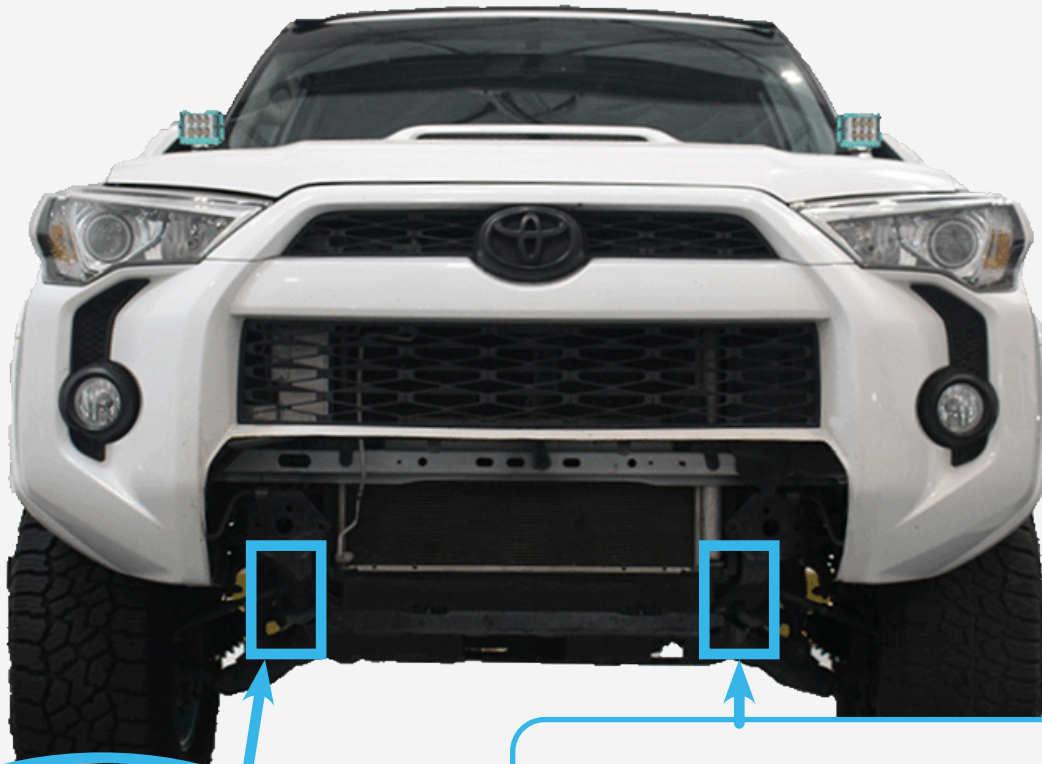
□ STEP 18

(OPTIONAL) Use the provided (F) shim kit if the bumper is not fitting to your liking.



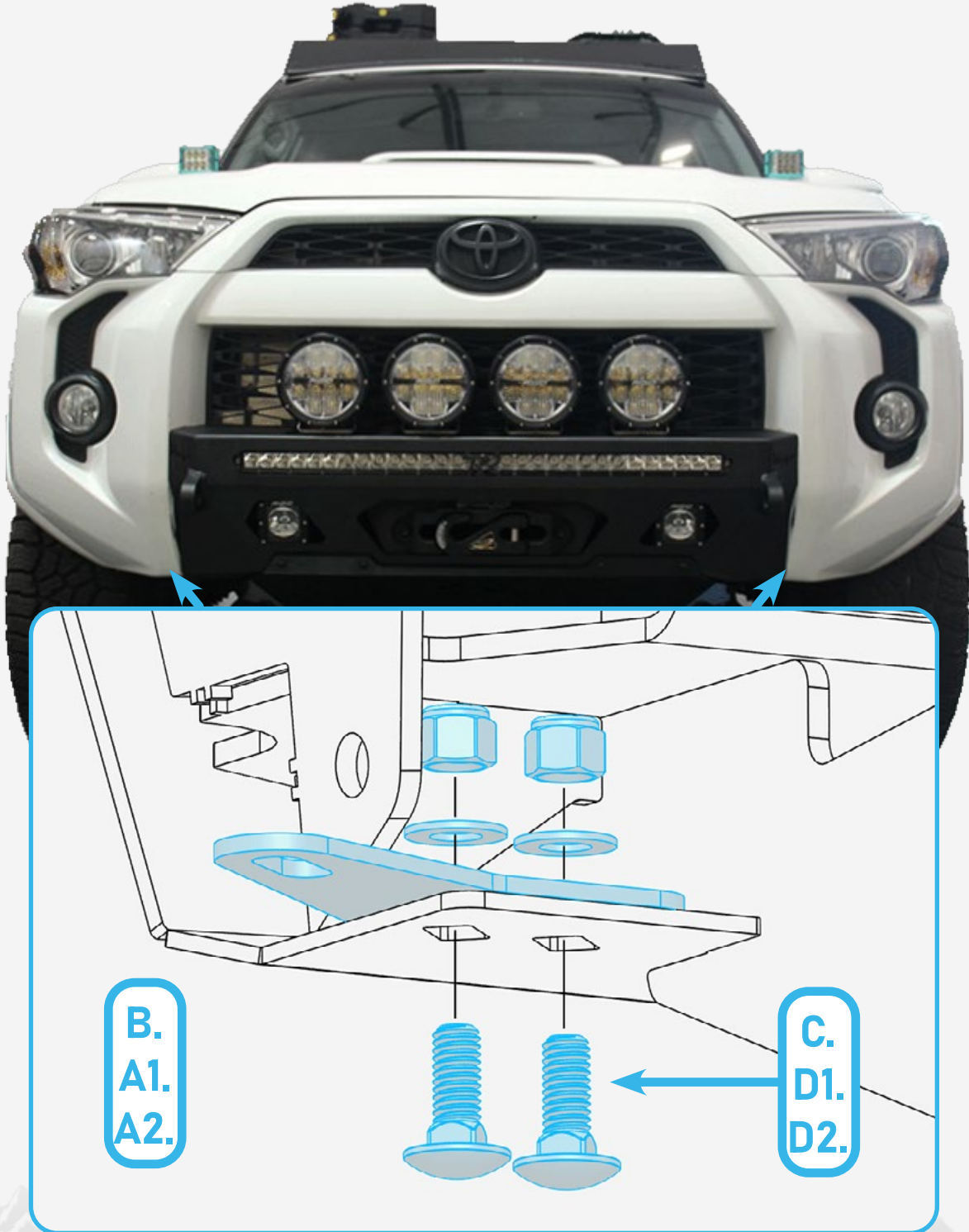
□ STEP 19

Using a (19mm wrench) install the provided (C, C1) M12 hardware into the threaded hole located next to the tow hooks on the 4Runner.



□ STEP 20

Install the provided **(G)** side support brackets to the bumper with the provided **(A, A1, A2)** 3/8 hardware using a **(9/16 wrench)**, then install the provided **(B, A1, A2)** 3/8 hardware to the valence into the existing holes from **step 8** using a **(7/32 allen)** and a **(9/16 wrench)**.



STEP 21

Stand back and enjoy your new RAGO Center Mount Front Bumper With Winch.

Check and re-tighten, all mounting bolts after 100 miles and periodically thereafter.

