

## ROOF RACK SOLID 2024/TOYOTA TACOMA AC670640103



### TOOLS REQUIRED

- 7/16, 9/16, 10mm wrench
- 1/8, 5/32, 7/32 Allen
- Blue Loctite
- Razor Blade



### SKILL LEVEL

- Moderate



### TIME REQUIRED

- Approximately 1.5 hours

## ⚠️ WARNINGS/CAUTIONS BEFORE STARTING INSTALLATION ⚠️

### -BEFORE YOU INSTALL THIS KIT-

Read and understand all instructions, warnings, cautions, & notes contained in this installation instruction guide. Consult your vehicle owner's manual for proper disconnection of electrical and lifting of vehicle if required for installation of this product.

This install may require some technical skills and knowledge of basic mechanical work. If you do not feel that you are capable of performing this install please take this product to a trained professional.

After reading this guide please contact us with any questions or concerns before installing product.

Customer Service: 830-896-7571

Rago Fabrication is not responsible for any bodily injury or harm to you or your vehicle as a result of an improper install.

Proper installation of this kit required knowledge of the factory recommended procedures for removal and installation of original equipment components.

We recommend that the factory shop manual and any special tools needed to service your vehicle be on hand during the installation. Installation of this kit without proper knowledge of the factory recommended procedures may affect the

performance of these components and the safety of the vehicle.

Inspect all contents of this package to make sure product is not damaged and all installation hardware has been included. If parts are missing from kit, please be prepared to provide the following information:

1. Name of purchase location
2. Bar Code on side of box
3. Date above bar code
4. Date inside box cover

**\*ALWAYS WEAR EYE PROTECTION  
WHEN OPERATING POWER TOOLS\***

## HARDWARE

**A.**



10-24 X 1/2" BUTTON HEAD BOLT

**QTY: 4**

**A1.**



10-24 NYLON LOCK NUT

**QTY: 4**

**B.**



ALUMINUM STUD

**QTY: 8**

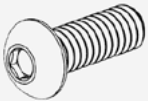
**C.**



M6 FLAT WASHER

**QTY: 42**

**D.**



1/4-20 X 1" BUTTON HEAD BOLT

**QTY: 42**

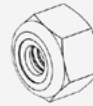
**D1.**



1/4" FLAT WASHER

**QTY: 14**

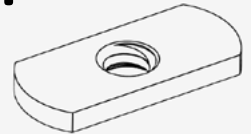
**D2.**



1/4-20" NYLON LOCK NUT

**QTY: 14**

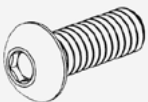
**E.**



1/4-20" T-NUT

**QTY: 20**

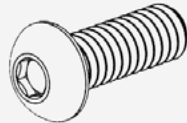
**F.**



1/4-20 X 1/2" BUTTON HEAD BOLT

**QTY: 20**

**G.**



3/8-16 X 1" BUTTON HEAD BOLT

**QTY: 4**

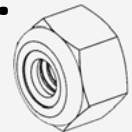
**G1.**



3/8" FLAT WASHER

**QTY: 4**

**G2.**



3/8-16" NYLON LOCK NUT

**QTY: 5**

**H.**



M6 X 1.00 NYLON LOCK NUT

**QTY: 6**

**I.**

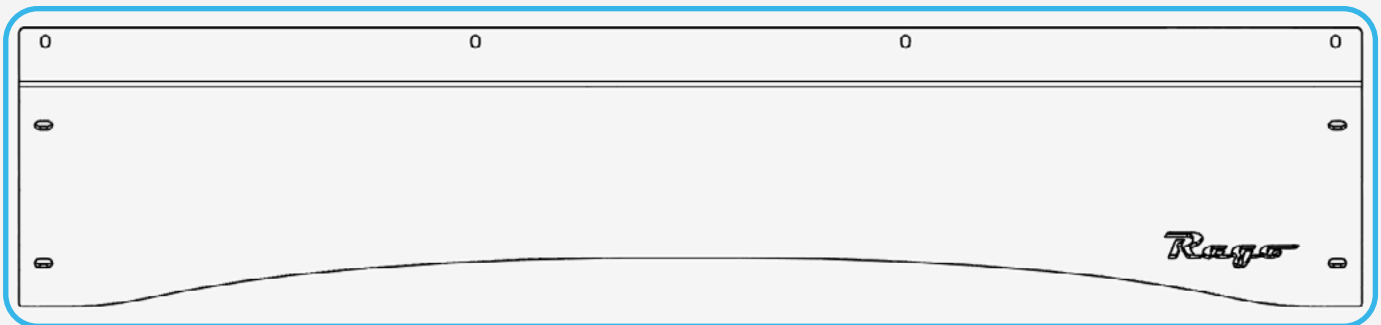
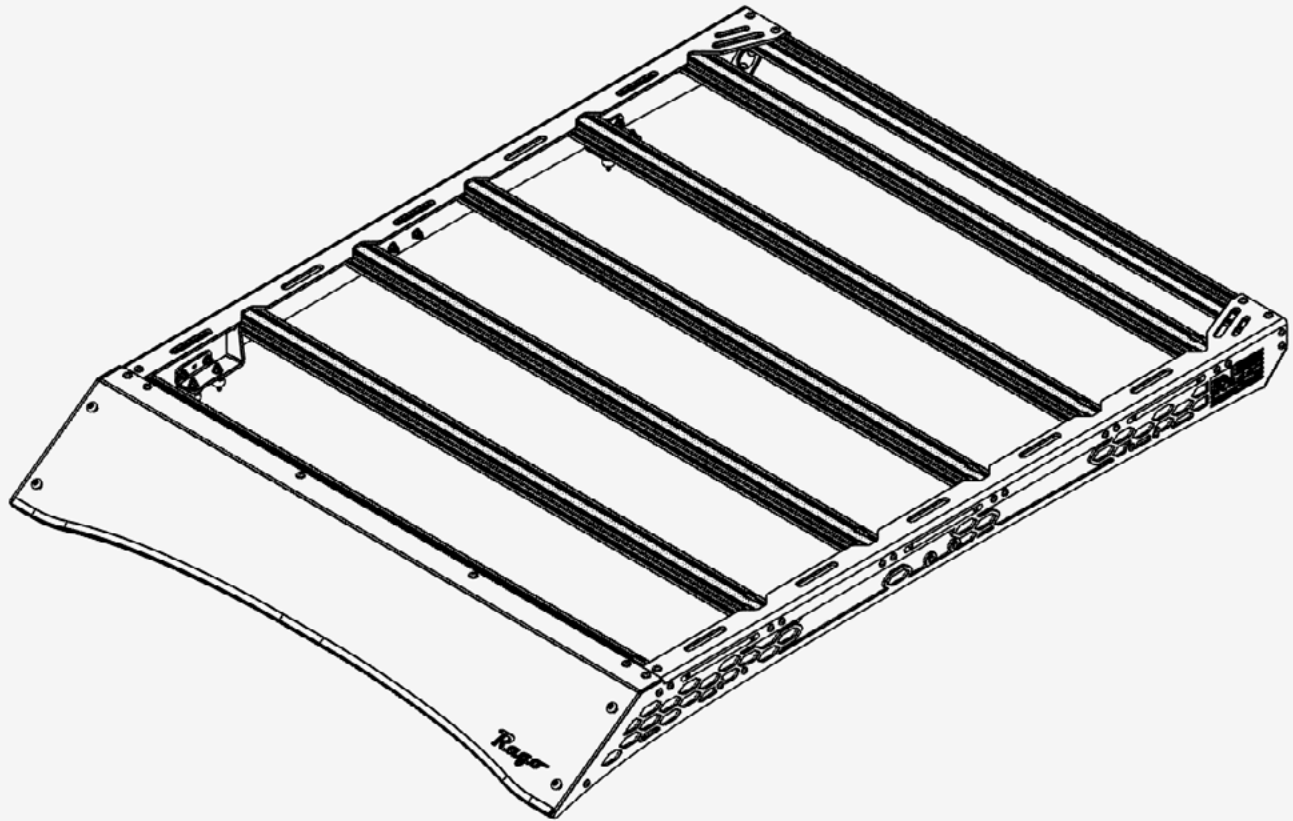


EDGE TRIM WITH GASKET

**QTY: 1**

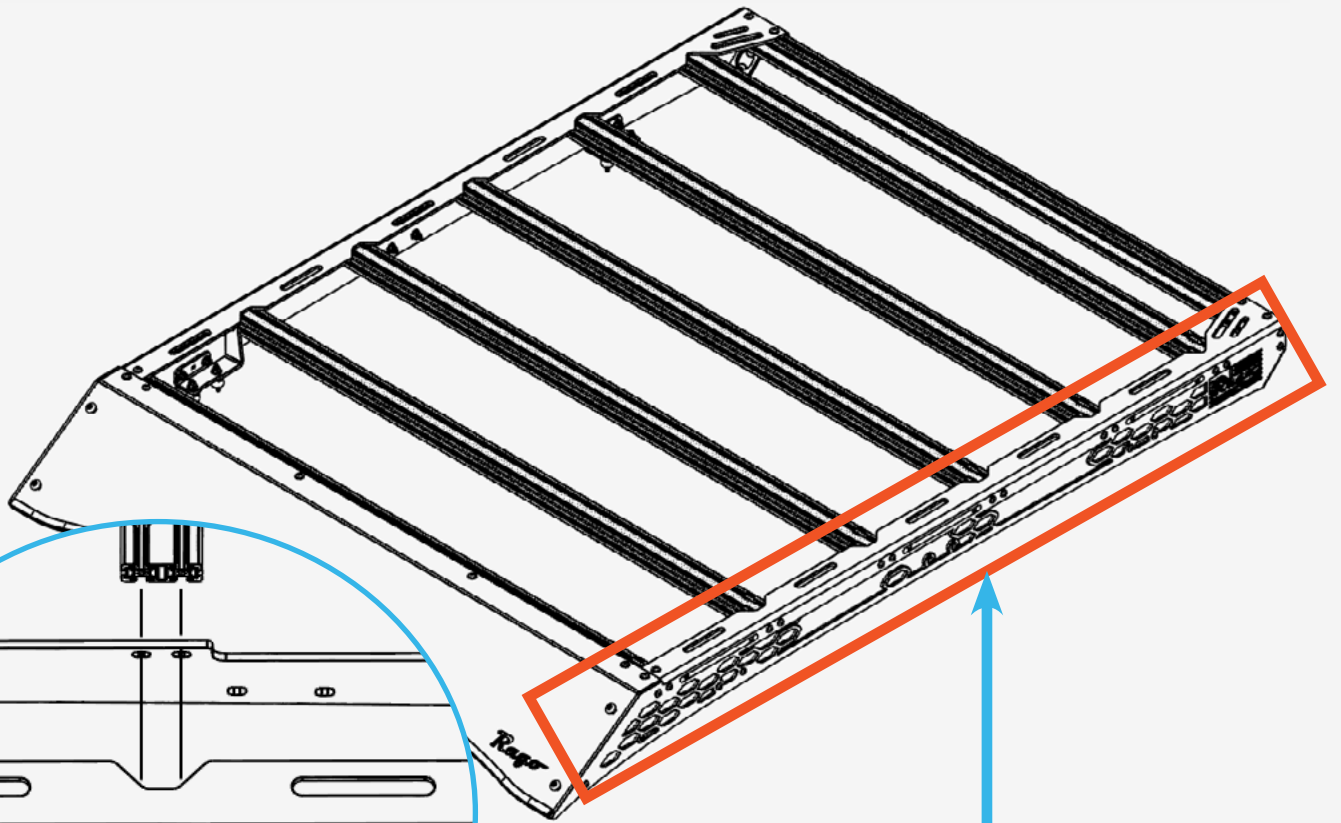


**AC670640103**

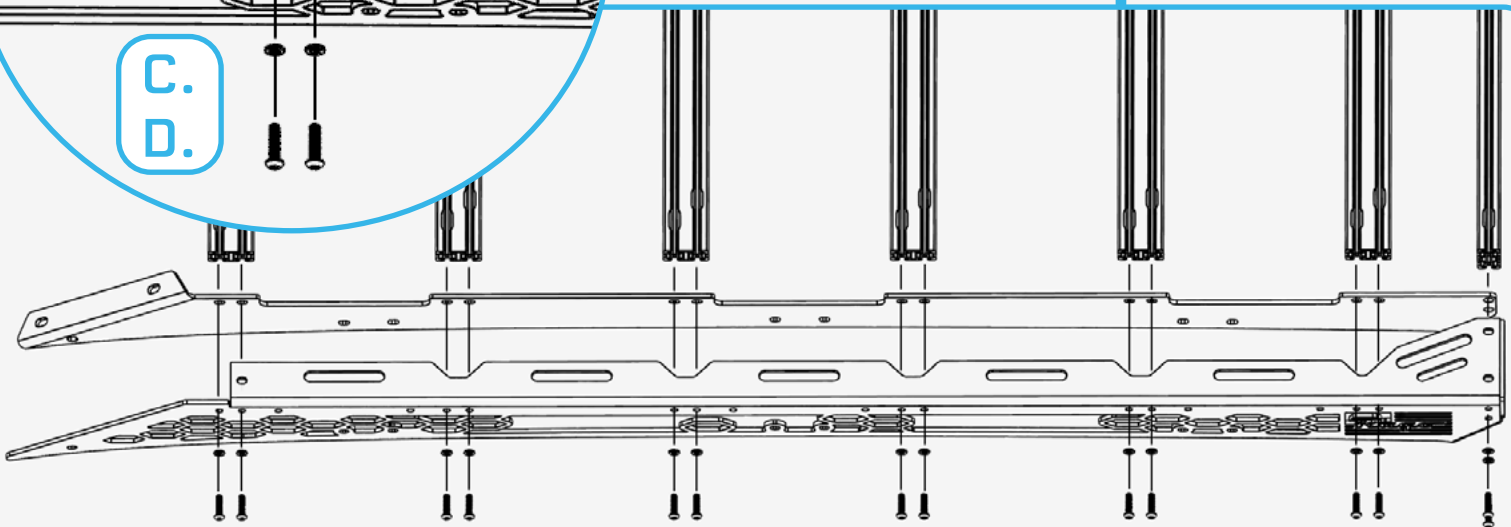


## □ STEP 1

Install the rails to the backer plate and the side panel as shown below with the provided (C, D) 1/4" hardware and washers using a (5/32 allen).

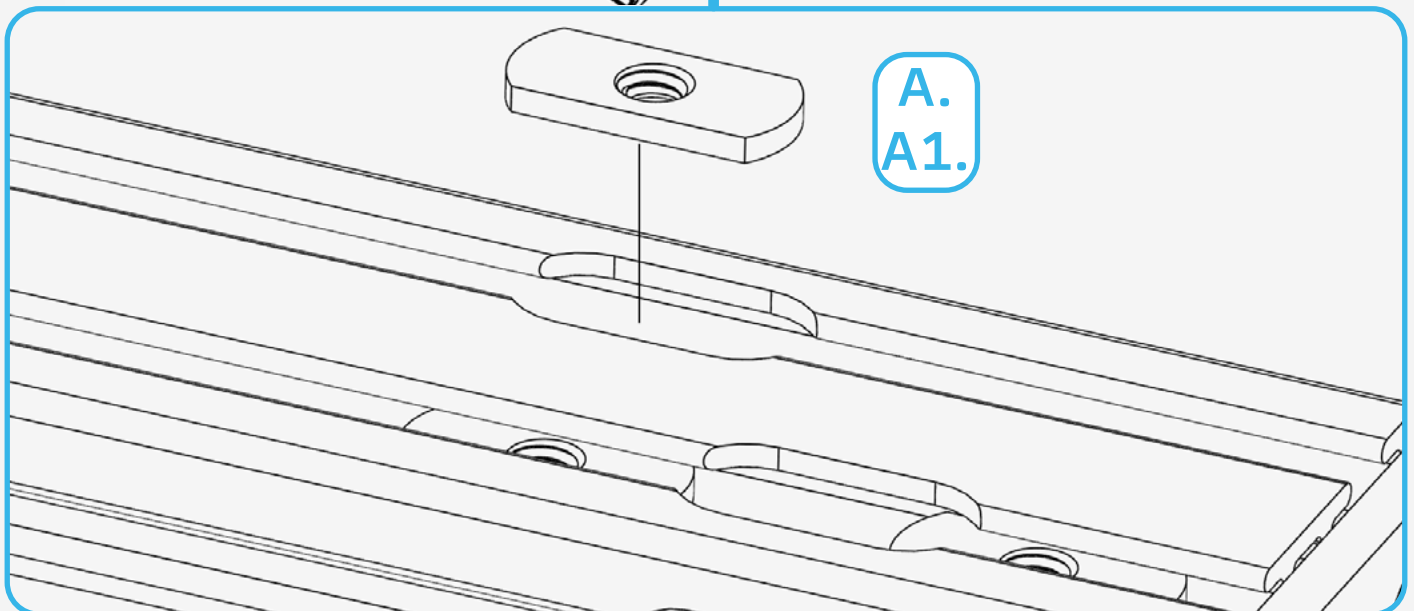
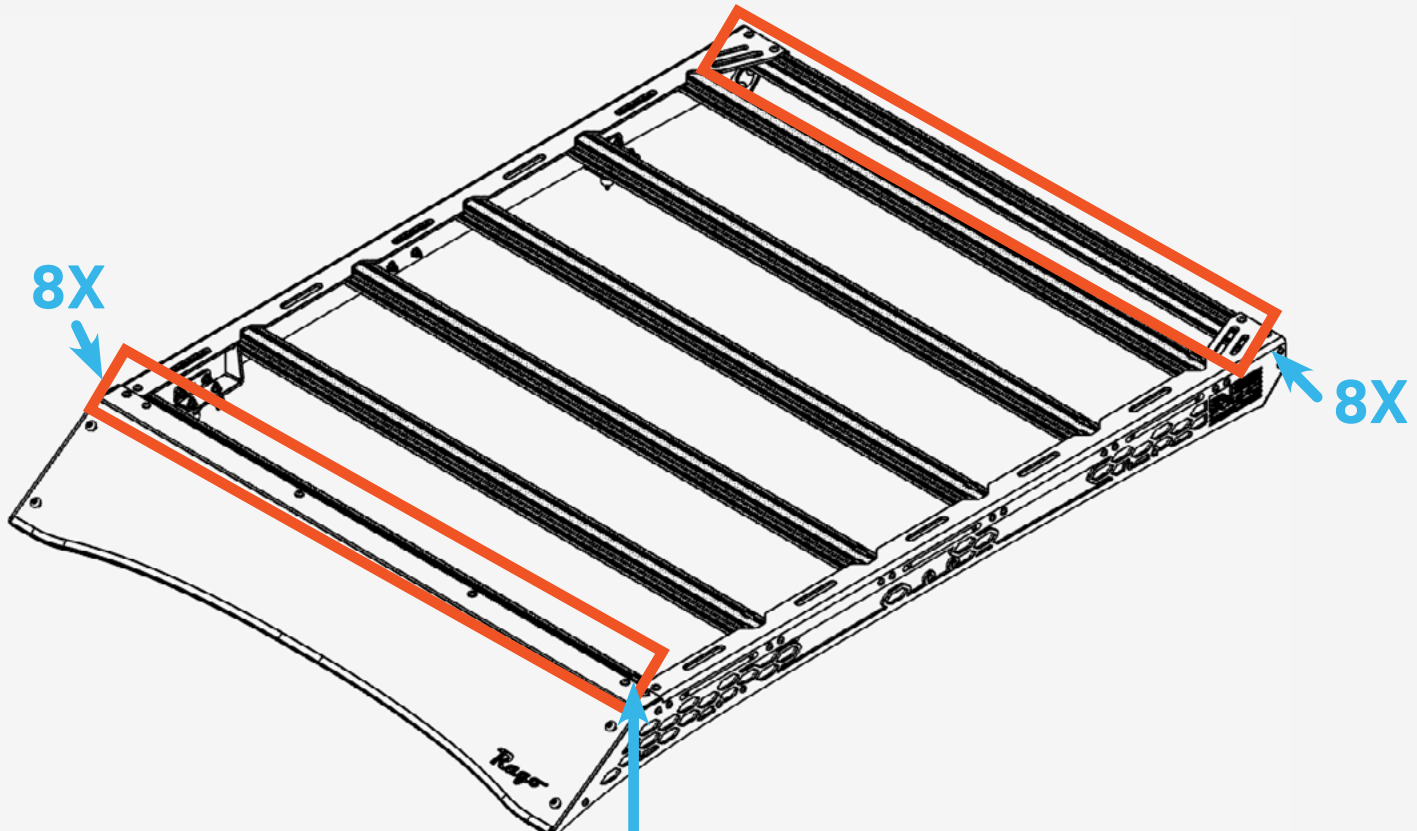


C.  
D.



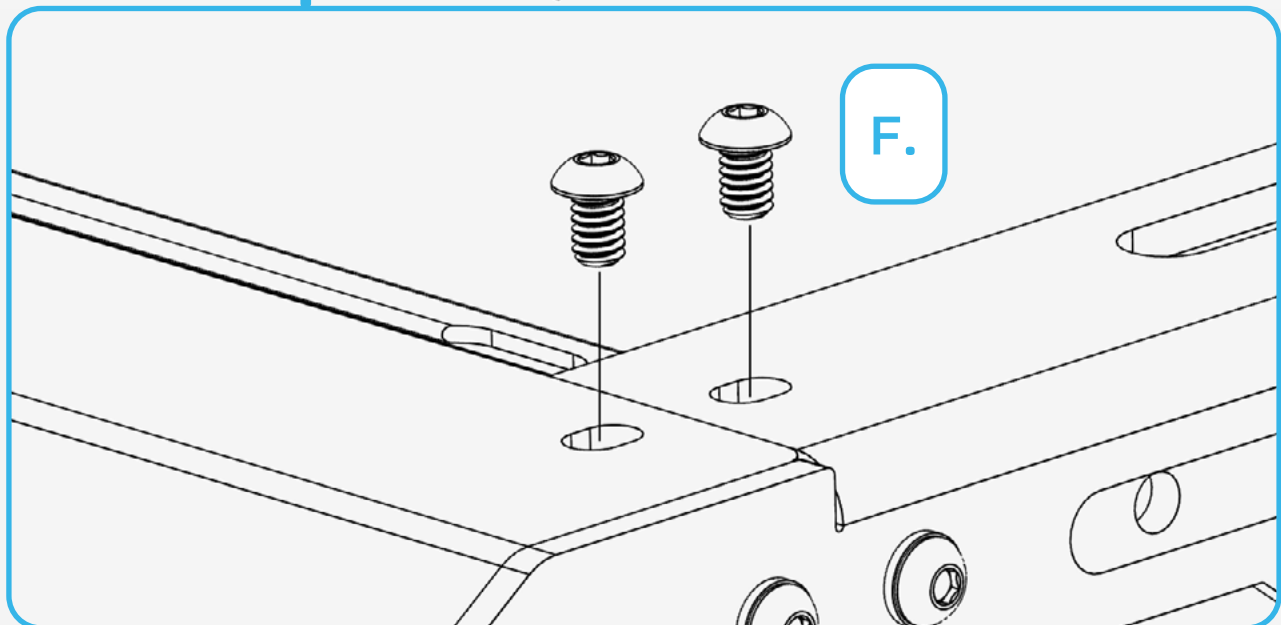
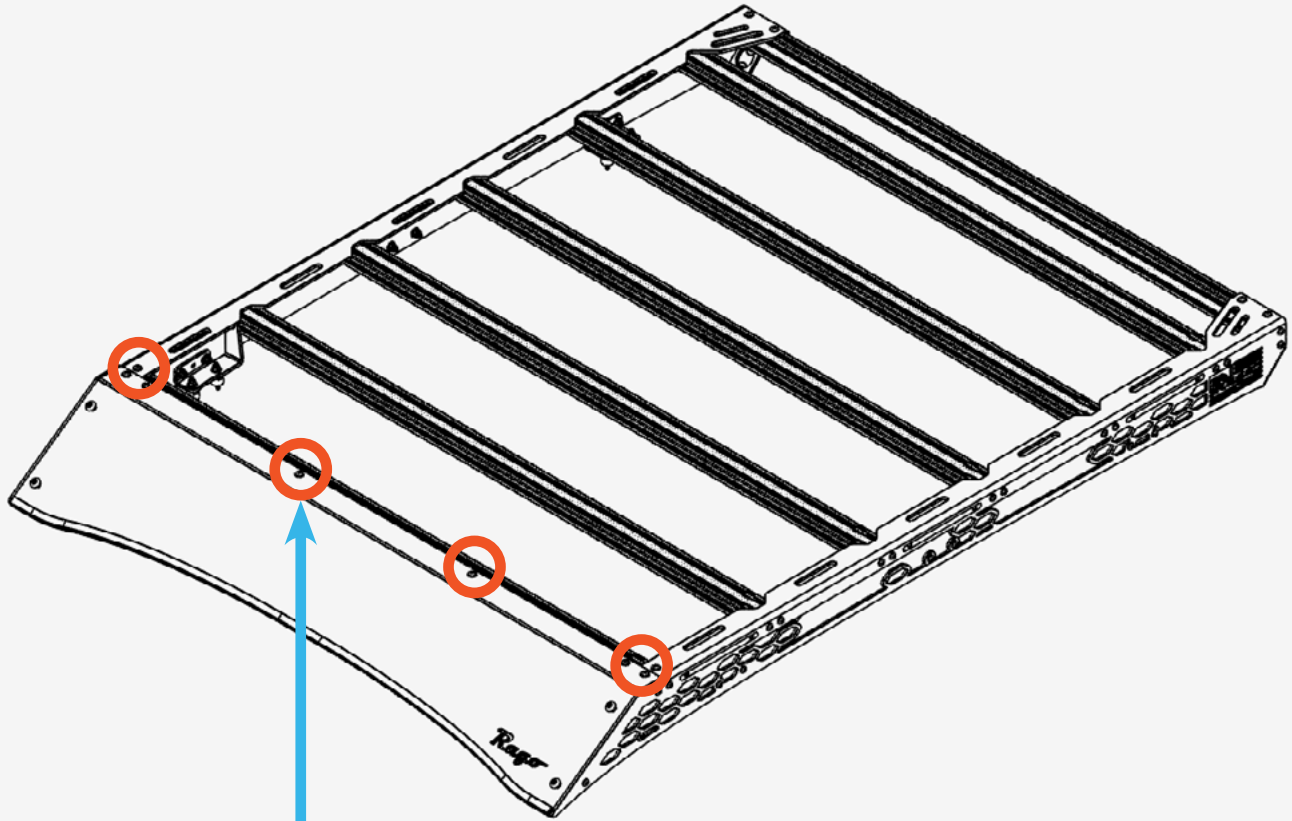
## □ STEP 2

Install (E) T-nuts into the slots through the open slot located on one side of the rail.



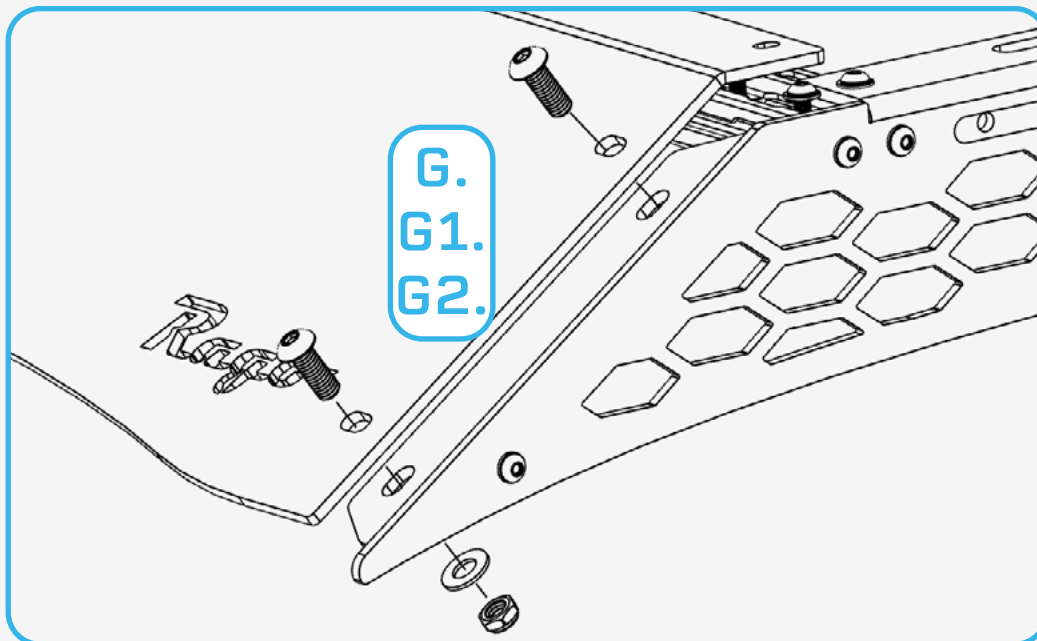
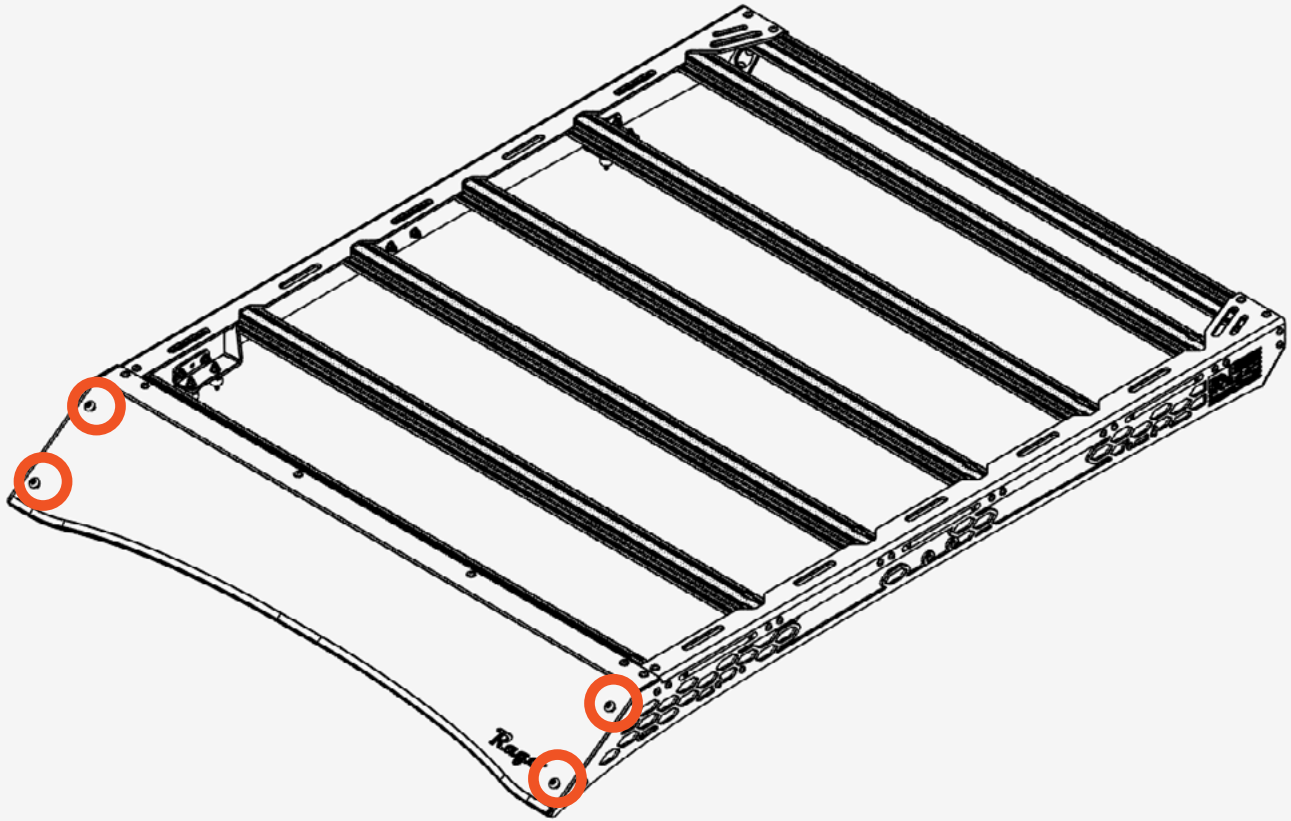
## □ STEP 3

Install the provided (F) 1/4" hardware into the T-nuts installed from **step 2** using a (5/32 allen).



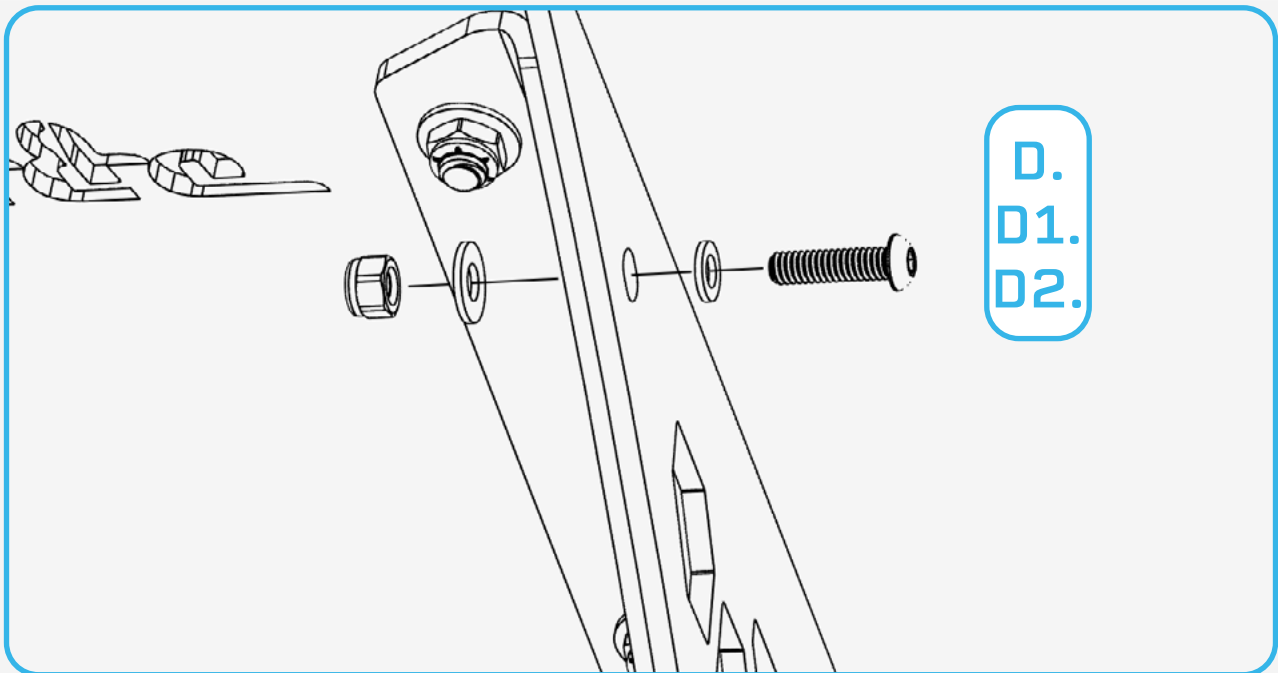
## □ STEP 4

Install the provided (G, G1, G2) 3/8" hardware using a (7/32 allen) and a (9/16 wrench).



**STEP 5**

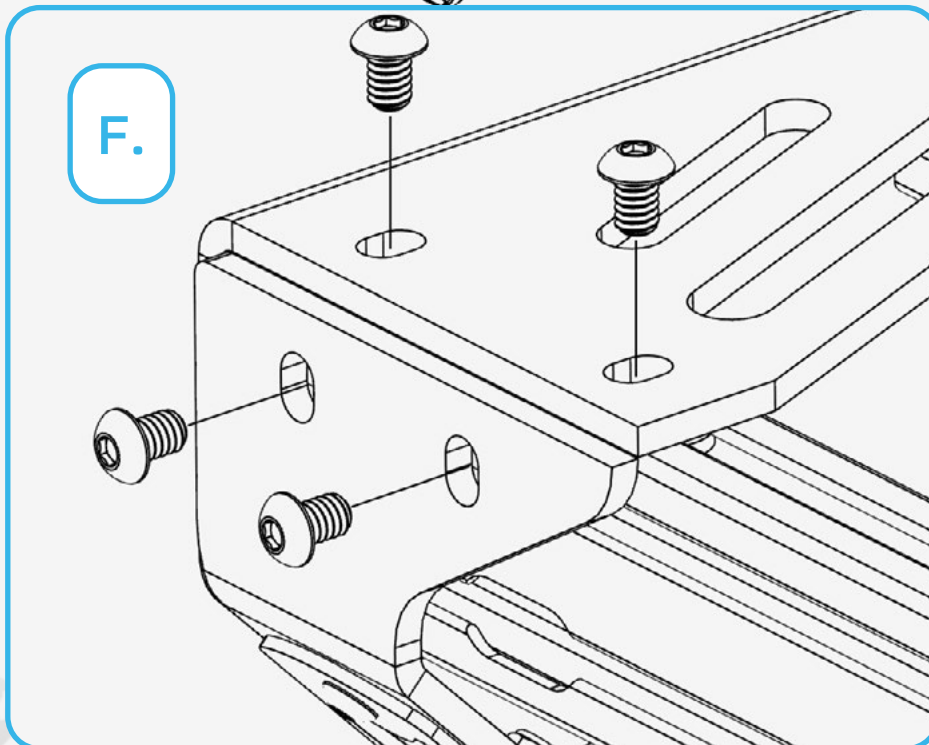
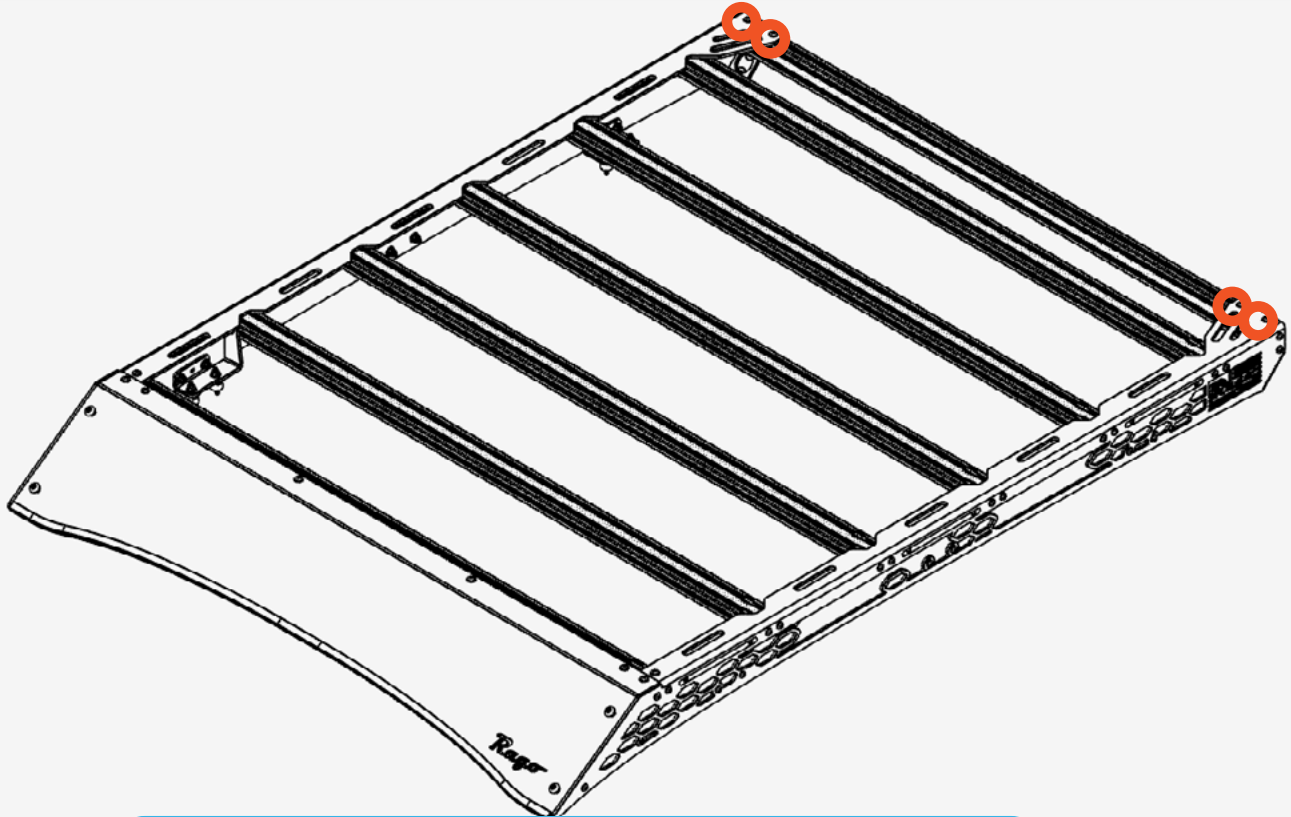
Install the provided (D, D1, D2) 1/4" hardware using a (5/32 allen) and a (7/16 wrench).





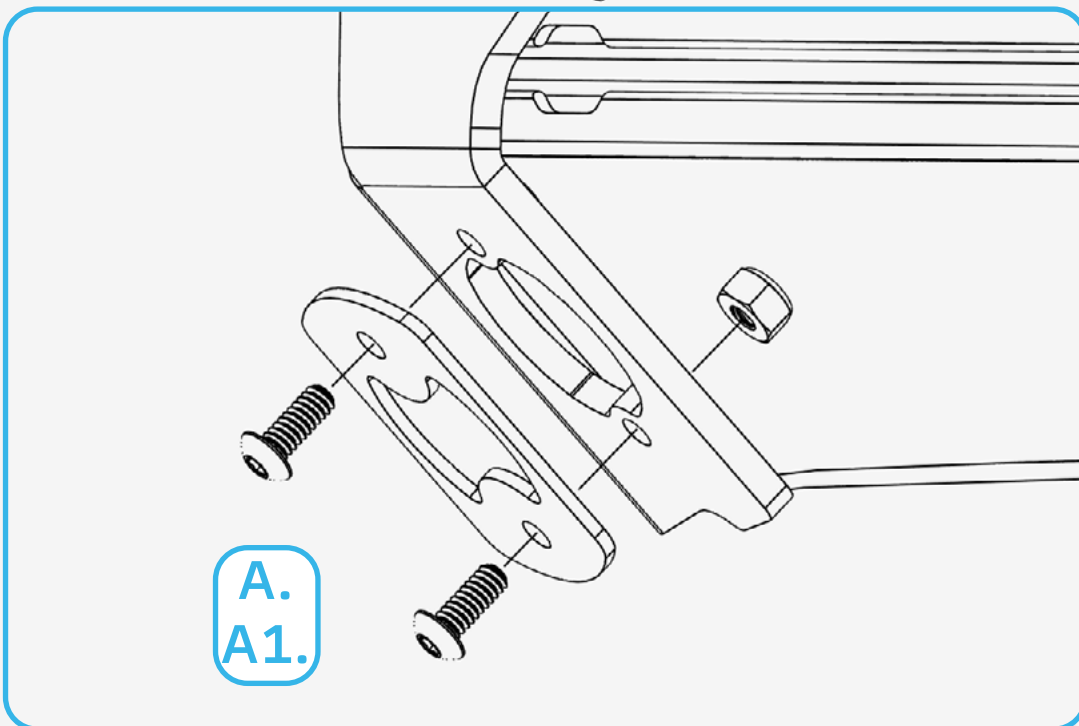
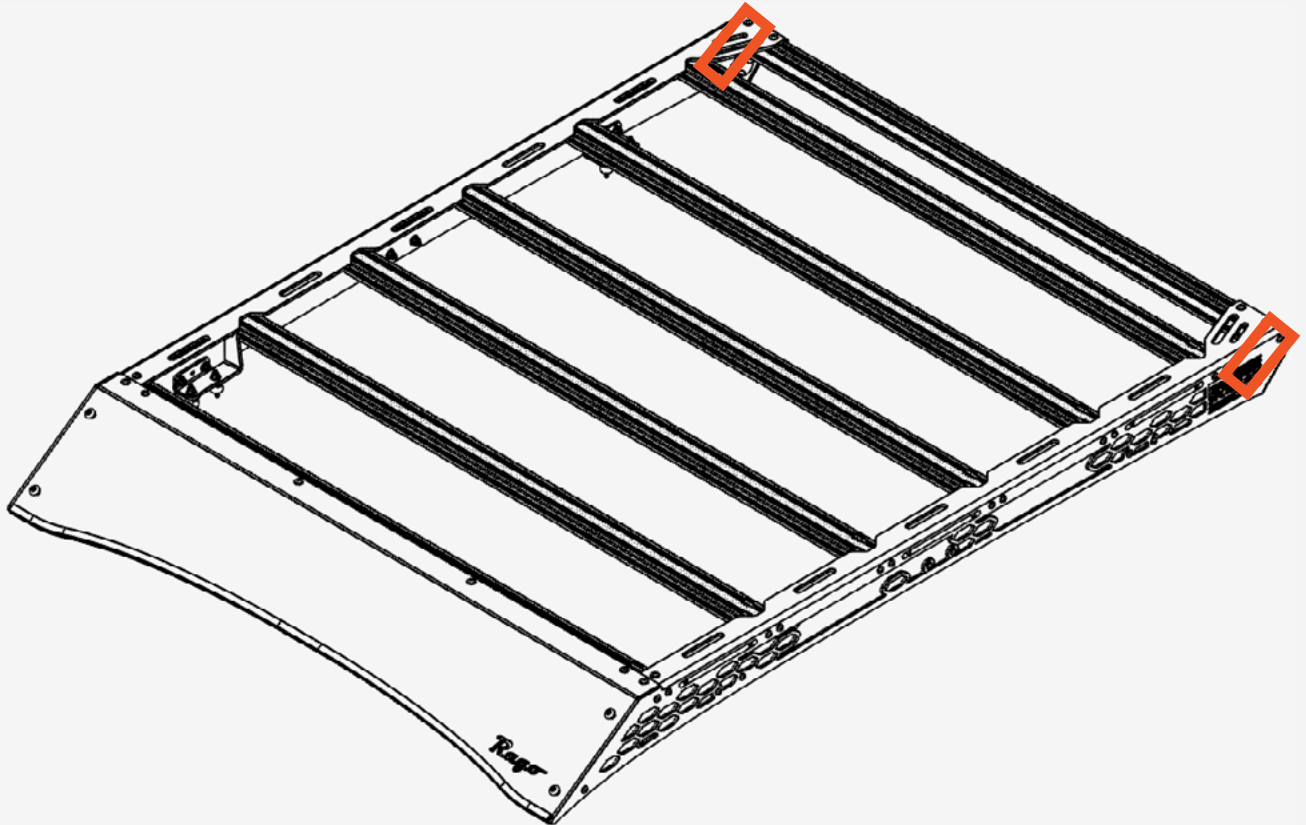
## □ STEP 6

Fully install the rear rail with the provided (F) 1/4" hardware using a (5/32 allen) into the T-nuts installed on **step 2**.



**STEP 7**

Install the bottle openers on the rear with the provided **(A, A1)** 10-24 hardware using a (1/8 allen).

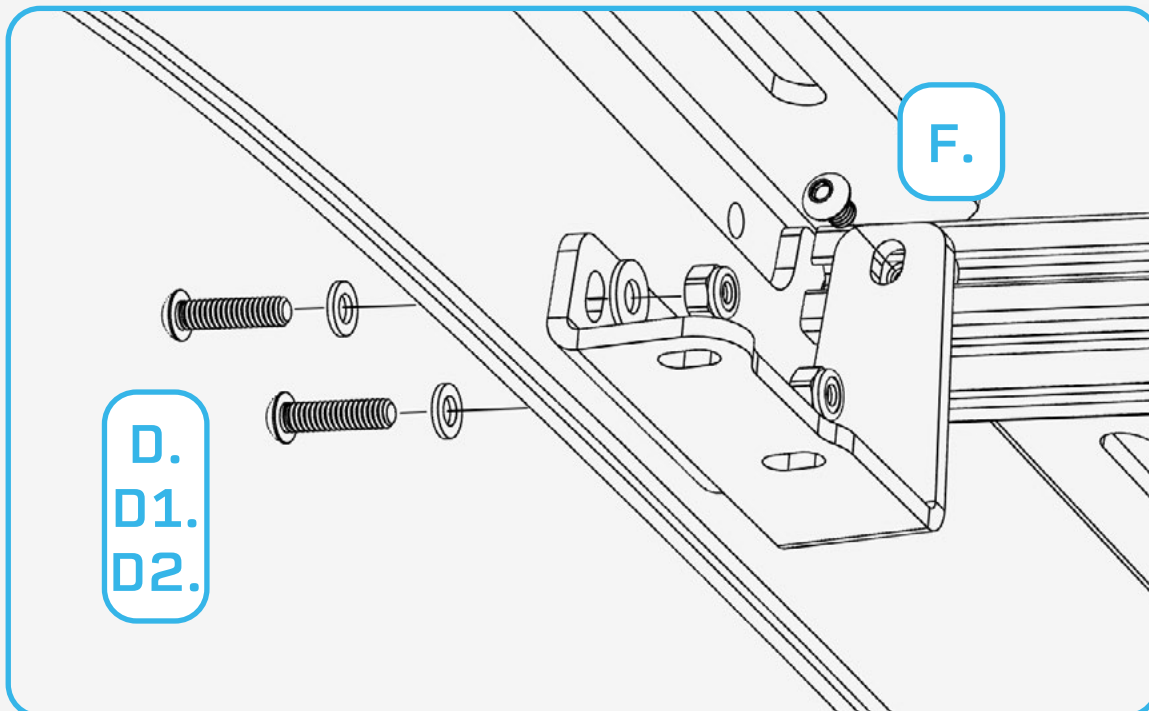
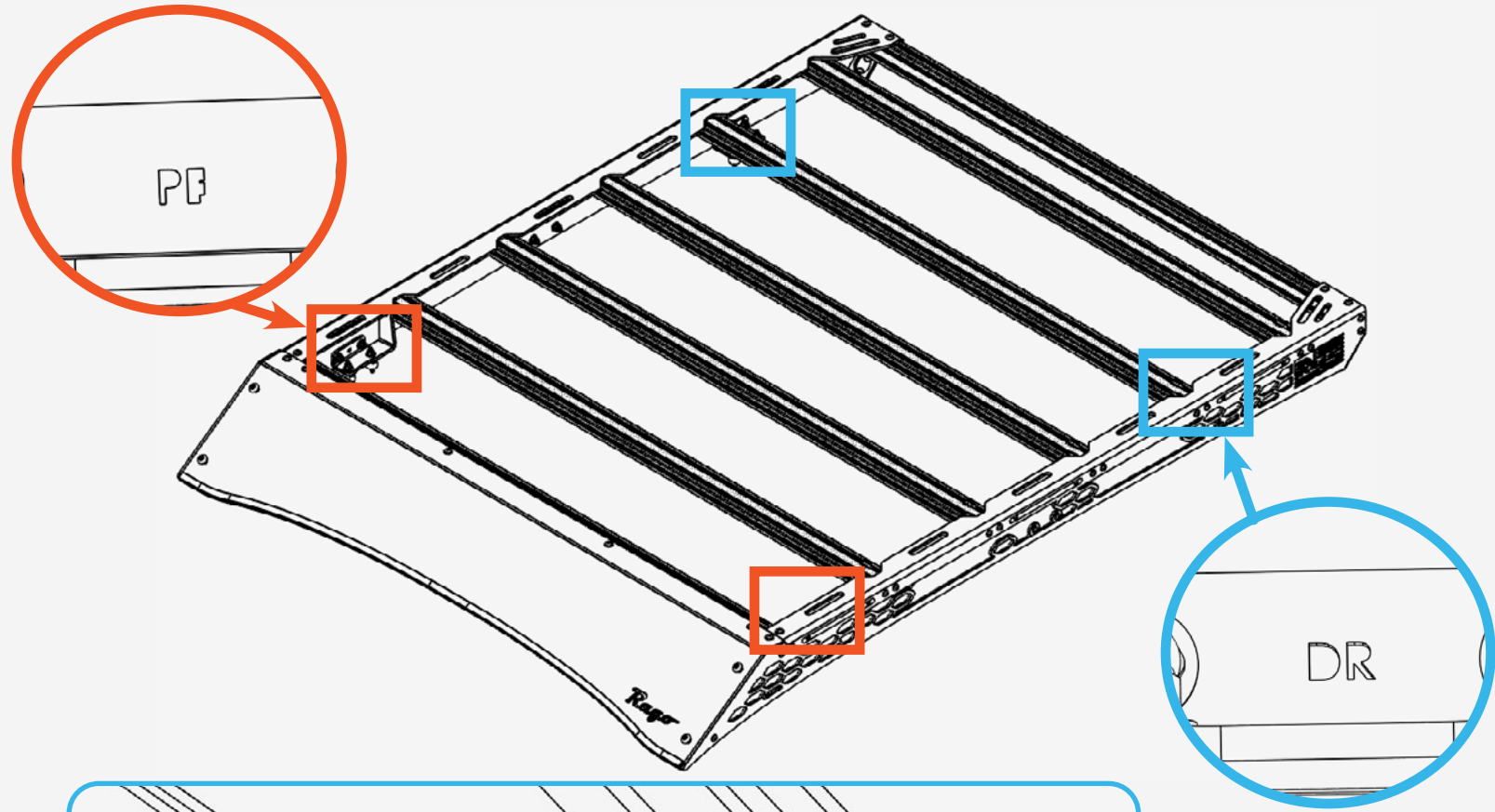


**A.**  
**A1.**



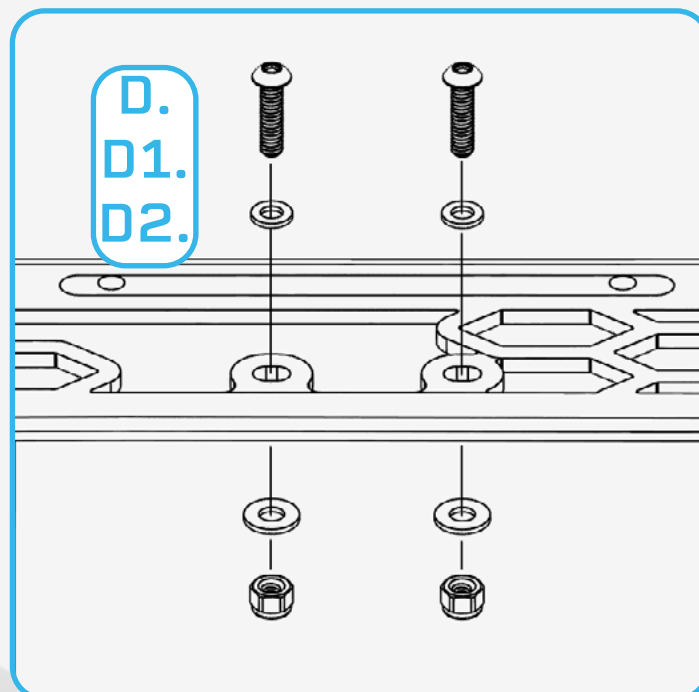
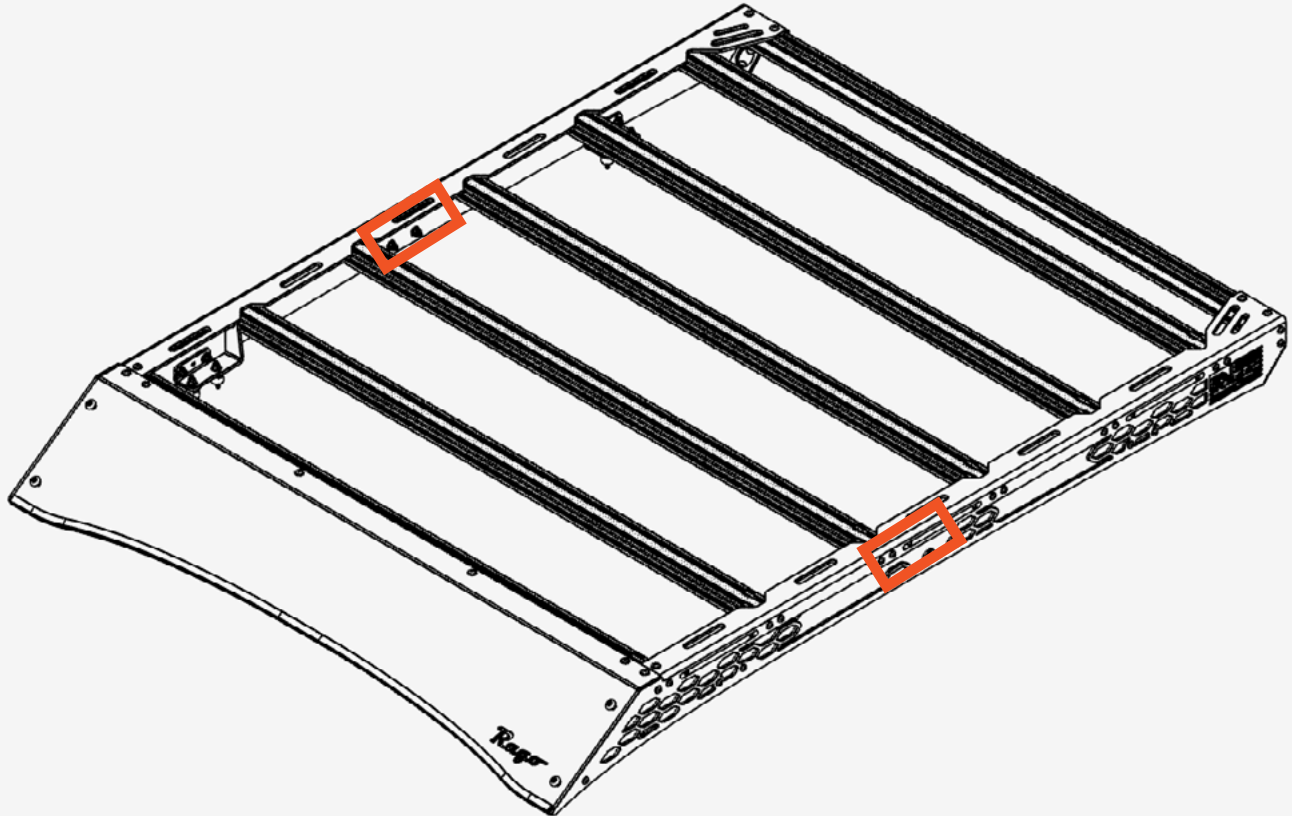
## □ STEP 8

Install the mounts in the locations highlighted below with the provided **(D, D1, D2)** and **(F)** 1/4" hardware using a (5/32 allen) and a (7/16 wrench).



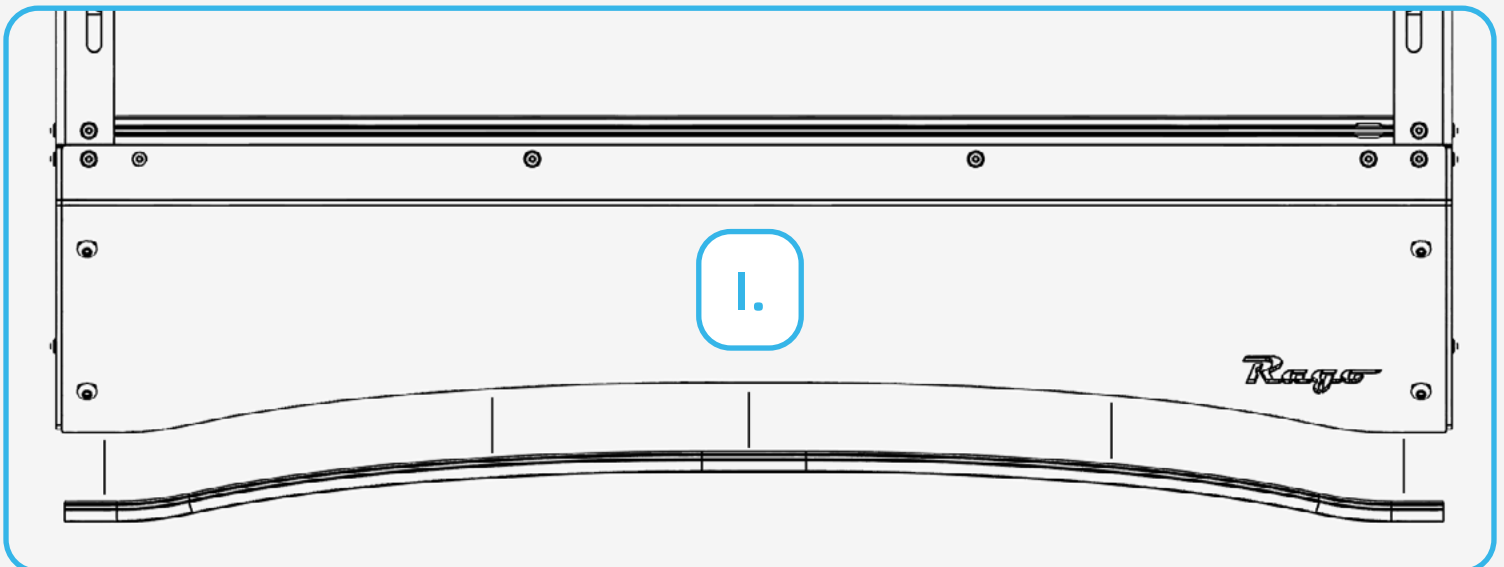
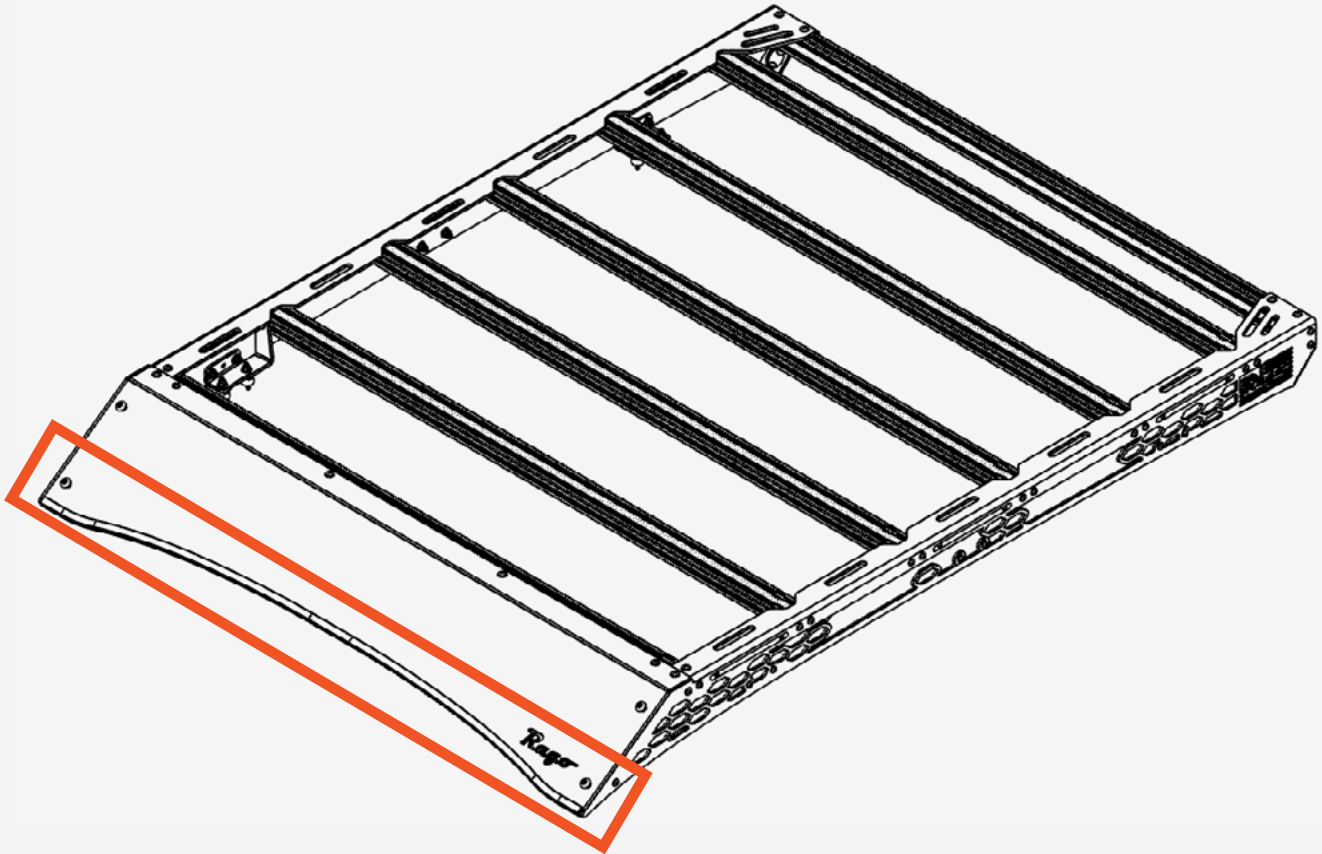
## □ STEP 9

Install the provided (D, D1 D2) 1/4" hardware in the highlighted locations as shown below using a (5/32 allen) and a (7/16 wrench).



## □ STEP 10

Install the (I) rubber gasket as shown below. Cut excess as needed.



**STEP 11**

Remove the rubber trim on top of the tacoma.



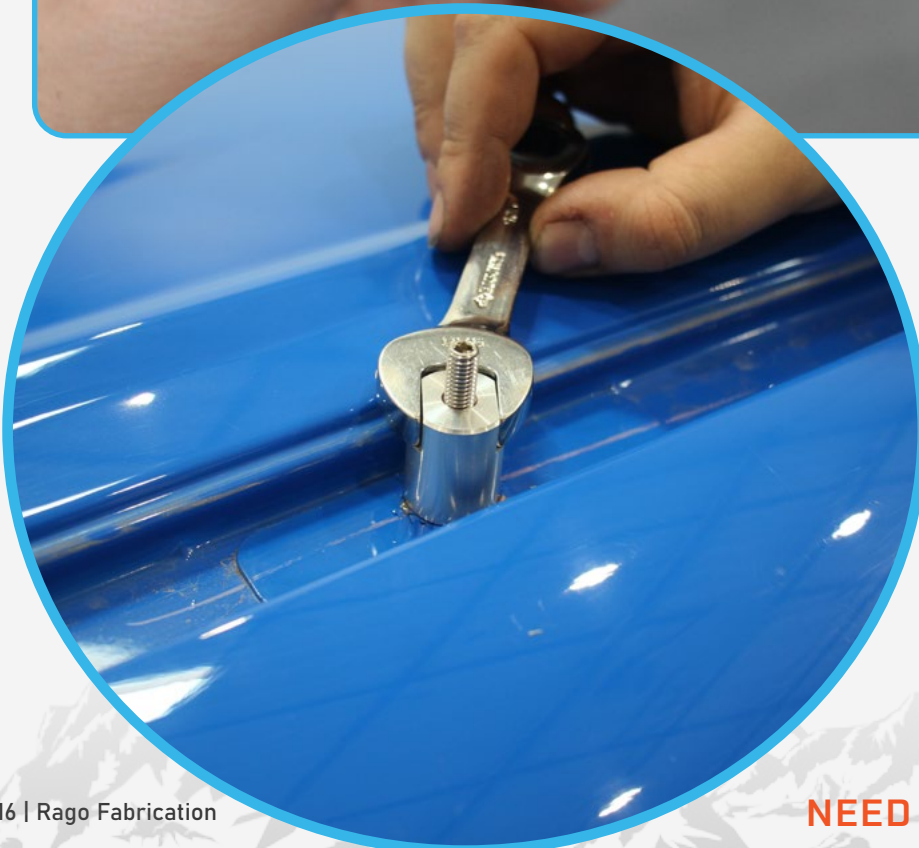
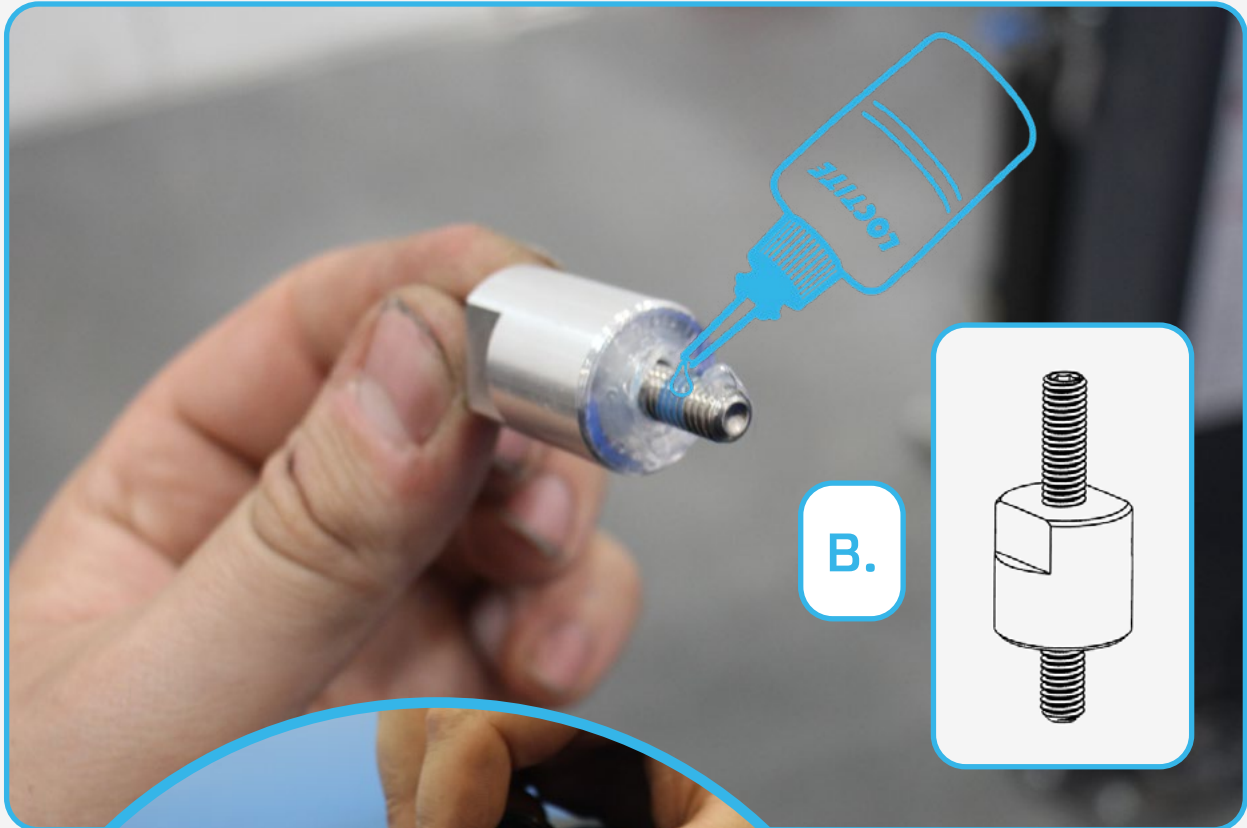
## □ STEP 12

Using a (razor blade) remove or poke a hole into the mounting holes. You can identify them by pushing down with your finger.



## □ STEP 13

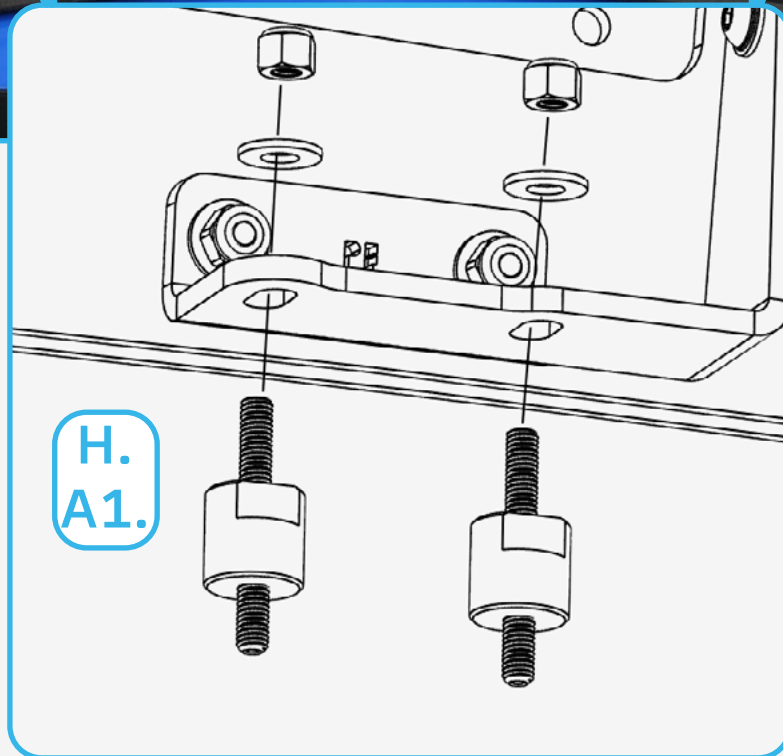
- Using the provided **(B)** aluminum studs, apply silicone onto the bottom of the aluminum spacer and **BLUE LOCTITE** to the threads. **(Ensure you apply these only on the bottom end of the spacers)**
- You can now install the aluminum studs **(B)** into the holes located from step 12 using a (9/16 wrench). **DO NOT OVER TIGHTEN**





## □ STEP 14

With a helping hand, install the roof rack onto the aluminum studs installed on **step 13** with the provided (**H, D1**) M6 X 1.00 nut and 1/4" washer as shown below using a (10mm wrench).



## STEP 15

Stand back and enjoy your new RAGO Roof Rack.

Check and re-tighten, if needed, all mounting bolts after 100 miles and periodically thereafter.

