

**PROPRIETARY AND CONFIDENTIAL**  
 THE INFORMATION CONTAINED IN THIS DRAWING IS THE SOLE PROPERTY OF C4 FABRICATION, LLC. ANY REPRODUCTION IN PART OR AS A WHOLE WITHOUT THE WRITTEN PERMISSION OF C4 FABRICATION, LLC IS PROHIBITED.

MATERIAL

	NAME	DATE
DRAWN	EJK	7/16/25
CHECKED		
ENG APPR.		
MFG APPR.		
Q.A.		
COMMENTS:		

## C4 FABRICATION

TITLE:

# 2024+ Tacoma Fuel Tank Skid

SIZE	DWG. NO.	REV
<b>A</b>		

DO NOT SCALE DRAWING

SHEET 1 OF 11

2

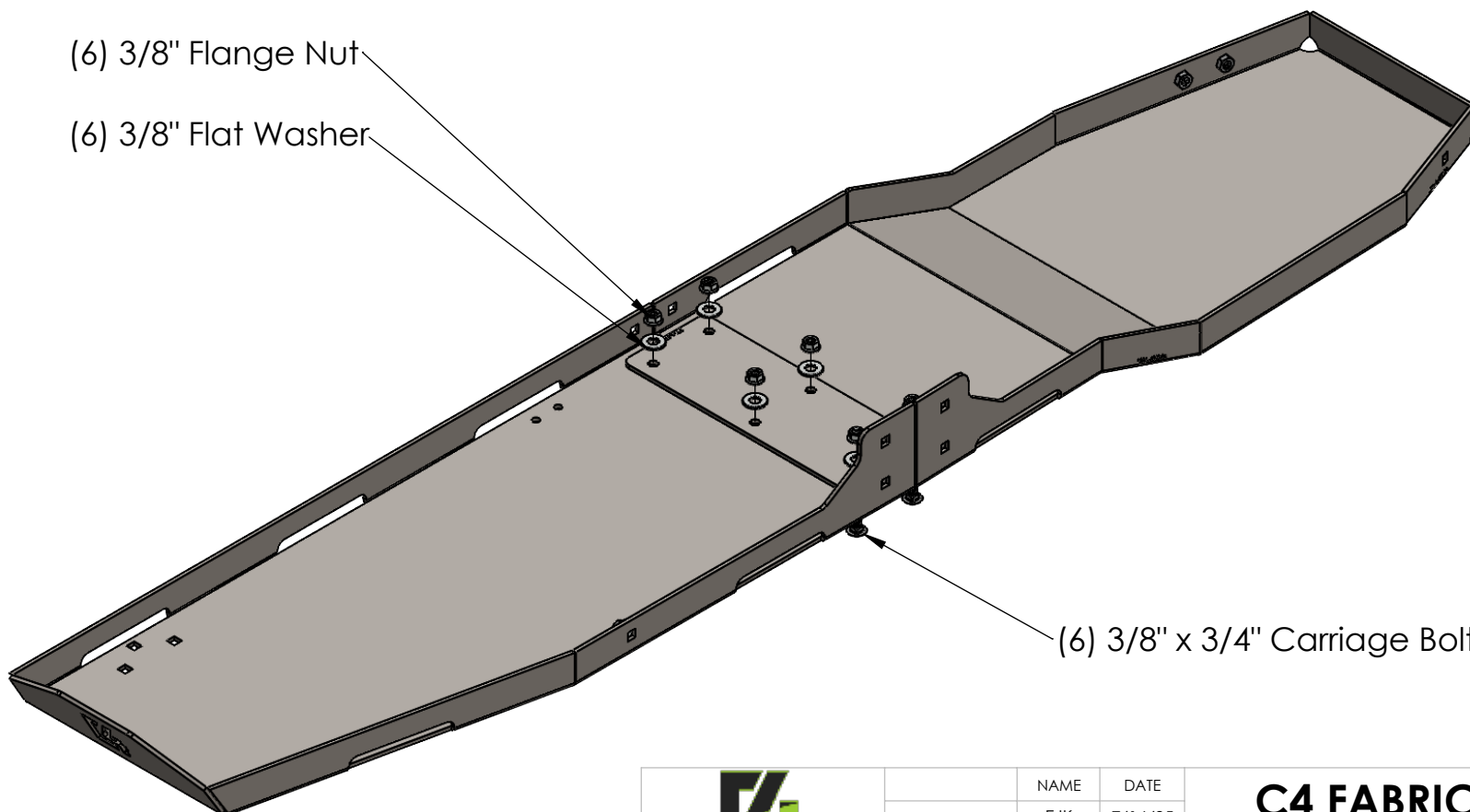
1

B

B

(6) 3/8" Flange Nut

(6) 3/8" Flat Washer



(6) 3/8" x 3/4" Carriage Bolt

A

A



**PROPRIETARY AND CONFIDENTIAL**  
 THE INFORMATION CONTAINED IN THIS DRAWING IS THE SOLE PROPERTY OF C4 FABRICATION, LLC. ANY REPRODUCTION IN PART OR AS A WHOLE WITHOUT THE WRITTEN PERMISSION OF C4 FABRICATION, LLC IS PROHIBITED.

MATERIAL

	NAME	DATE
DRAWN	EJK	7/16/25
CHECKED		
ENG APPR.		
MFG APPR.		
Q.A.		
COMMENTS:		

**C4 FABRICATION**

TITLE:

**2024+ Tacoma Fuel Tank Skid**

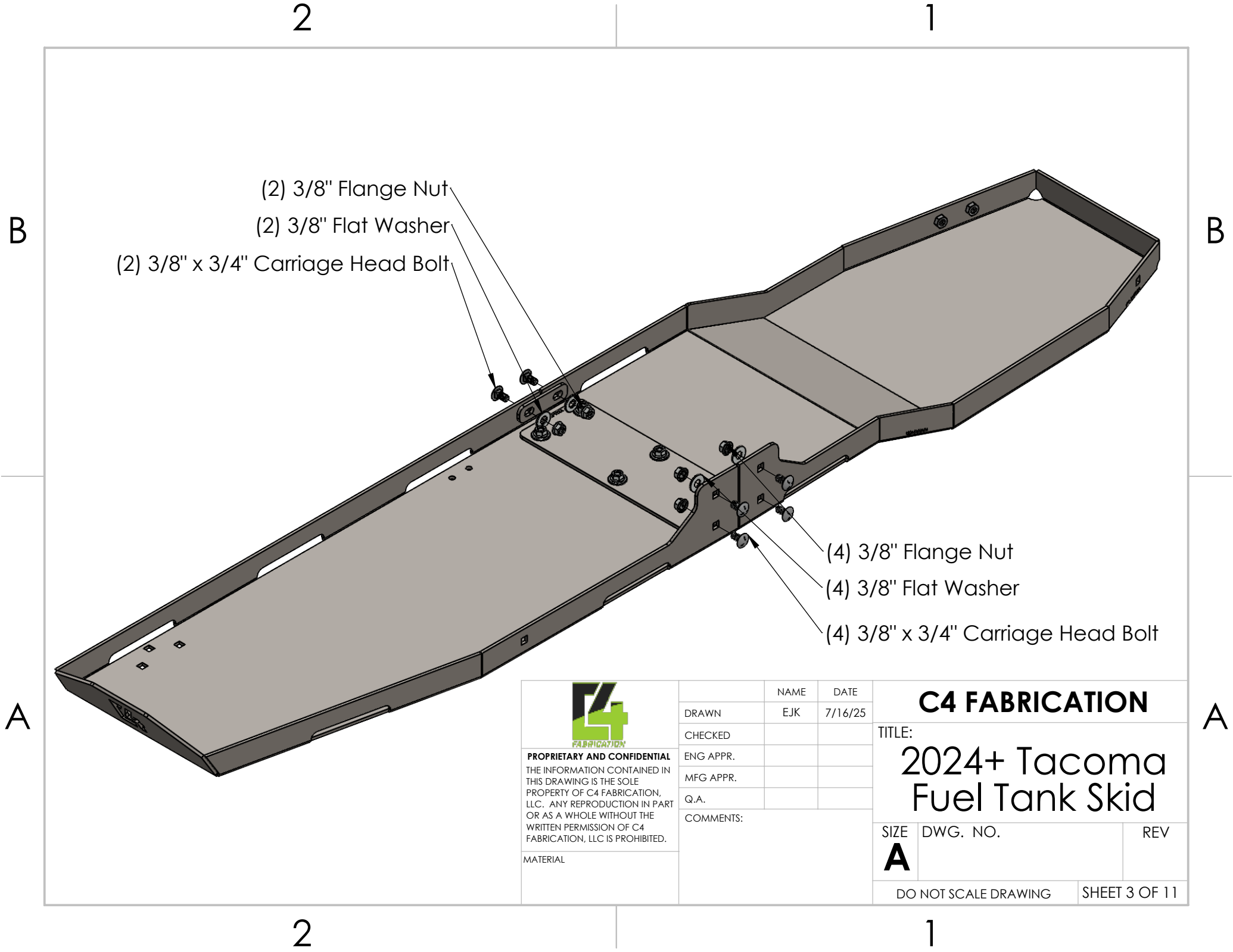
SIZE	DWG. NO.	REV
<b>A</b>		

DO NOT SCALE DRAWING

SHEET 2 OF 11

2

1



(2) 3/8" Flange Nut  
 (2) 3/8" Flat Washer  
 (2) 3/8" x 3/4" Carriage Head Bolt

(4) 3/8" Flange Nut  
 (4) 3/8" Flat Washer  
 (4) 3/8" x 3/4" Carriage Head Bolt



**PROPRIETARY AND CONFIDENTIAL**  
 THE INFORMATION CONTAINED IN THIS DRAWING IS THE SOLE PROPERTY OF C4 FABRICATION, LLC. ANY REPRODUCTION IN PART OR AS A WHOLE WITHOUT THE WRITTEN PERMISSION OF C4 FABRICATION, LLC IS PROHIBITED.

MATERIAL

	NAME	DATE
DRAWN	EJK	7/16/25
CHECKED		
ENG APPR.		
MFG APPR.		
Q.A.		
COMMENTS:		

**C4 FABRICATION**

TITLE:  
**2024+ Tacoma Fuel Tank Skid**

SIZE	DWG. NO.	REV
<b>A</b>		

DO NOT SCALE DRAWING

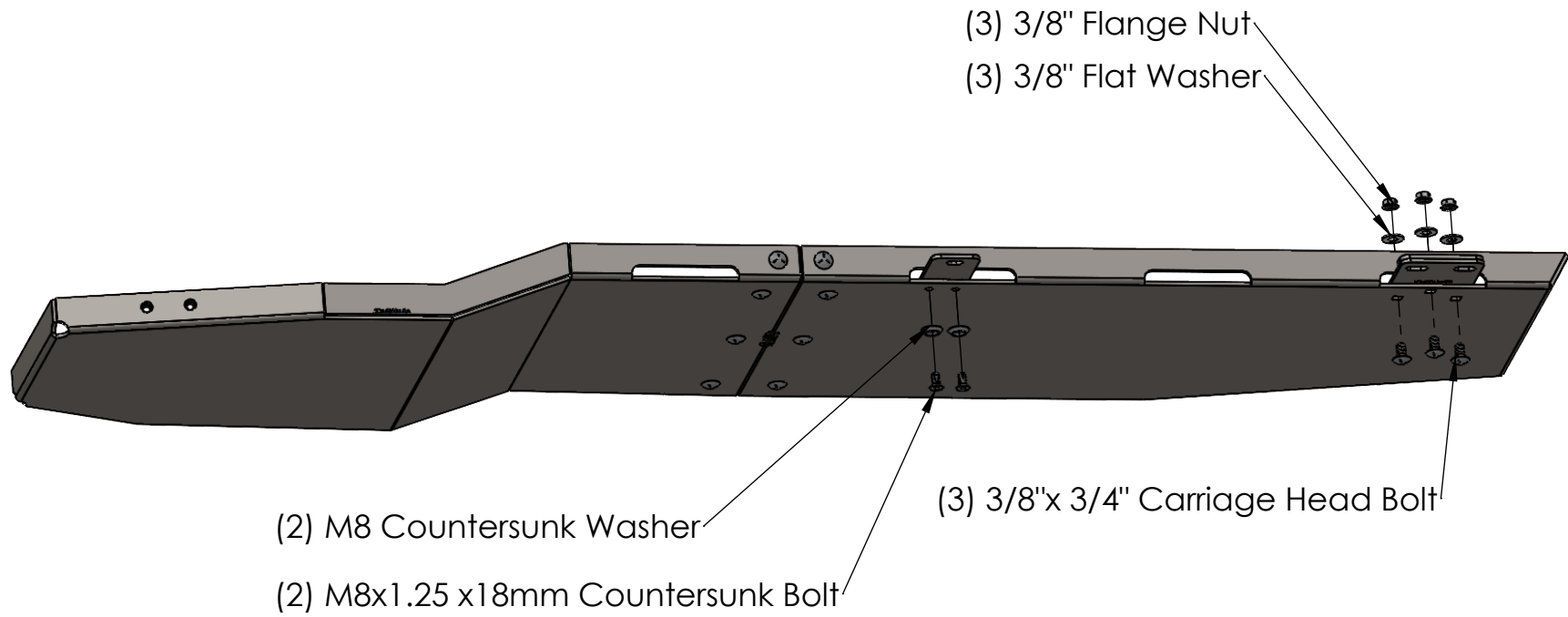
SHEET 3 OF 11

2

1

B

B




(3) 3/8" Flange Nut  
 (3) 3/8" Flat Washer

(2) M8 Countersunk Washer  
 (2) M8x1.25 x18mm Countersunk Bolt

(3) 3/8"x 3/4" Carriage Head Bolt

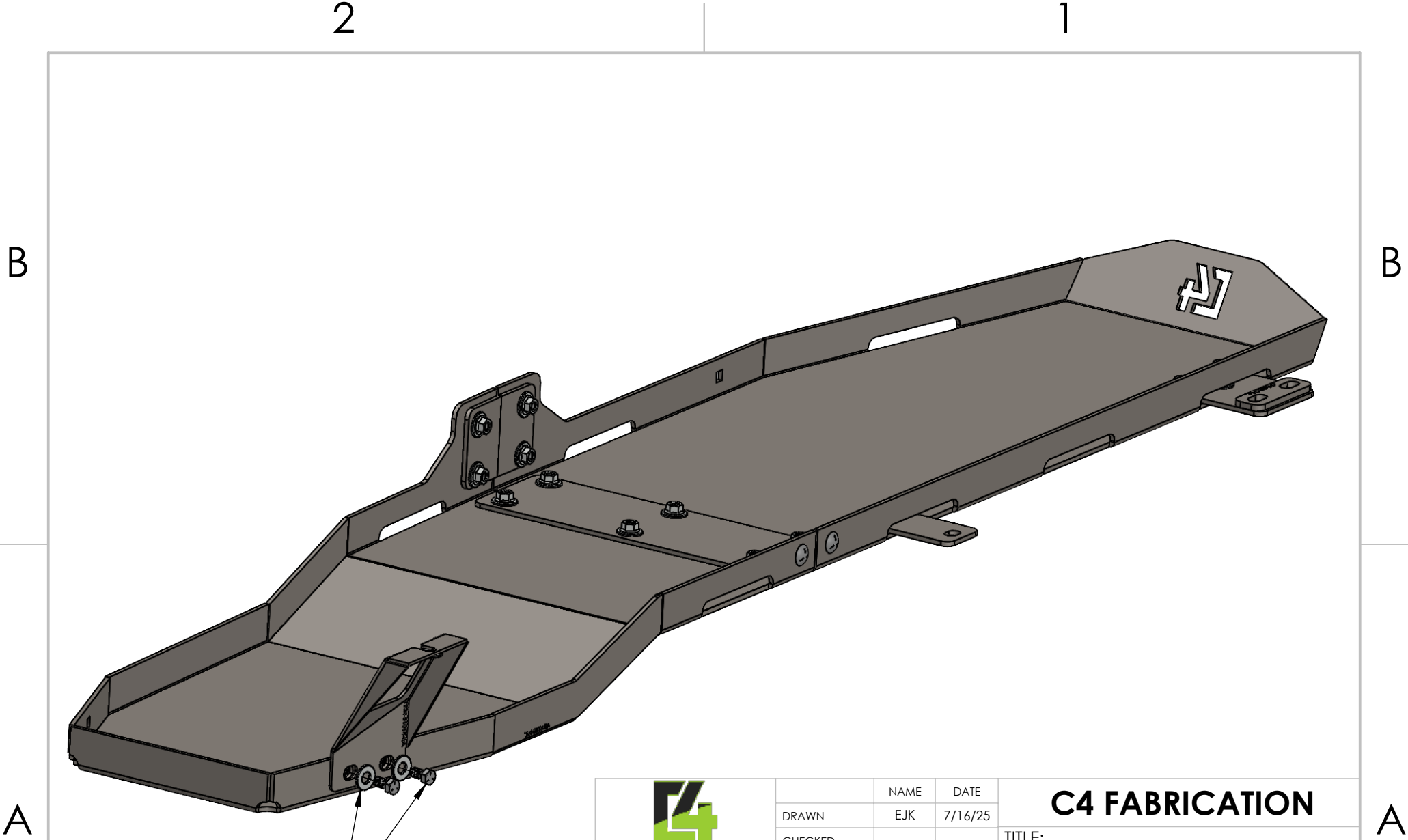
A

A

 <b>PROPRIETARY AND CONFIDENTIAL</b> THE INFORMATION CONTAINED IN THIS DRAWING IS THE SOLE PROPERTY OF C4 FABRICATION, LLC. ANY REPRODUCTION IN PART OR AS A WHOLE WITHOUT THE WRITTEN PERMISSION OF C4 FABRICATION, LLC IS PROHIBITED. MATERIAL		NAME	DATE	<b>C4 FABRICATION</b> TITLE: <b>2024+ Tacoma Fuel Tank Skid</b> SIZE <b>A</b> DWG. NO. REV DO NOT SCALE DRAWING SHEET 4 OF 11
	DRAWN	EJK	7/16/25	
	CHECKED			
	ENG APPR.			
	MFG APPR.			
	COMMENTS:			

2

1



(2) 3/8" Flat Washer

(2) 3/8" x 3/4" Bolt



**PROPRIETARY AND CONFIDENTIAL**  
 THE INFORMATION CONTAINED IN THIS DRAWING IS THE SOLE PROPERTY OF C4 FABRICATION, LLC. ANY REPRODUCTION IN PART OR AS A WHOLE WITHOUT THE WRITTEN PERMISSION OF C4 FABRICATION, LLC IS PROHIBITED.

MATERIAL

	NAME	DATE
DRAWN	EJK	7/16/25
CHECKED		
ENG APPR.		
MFG APPR.		
Q.A.		
COMMENTS:		

**C4 FABRICATION**

TITLE:

**2024+ Tacoma Fuel Tank Skid**

SIZE	DWG. NO.	REV
<b>A</b>		

DO NOT SCALE DRAWING

SHEET 5 OF 11

2

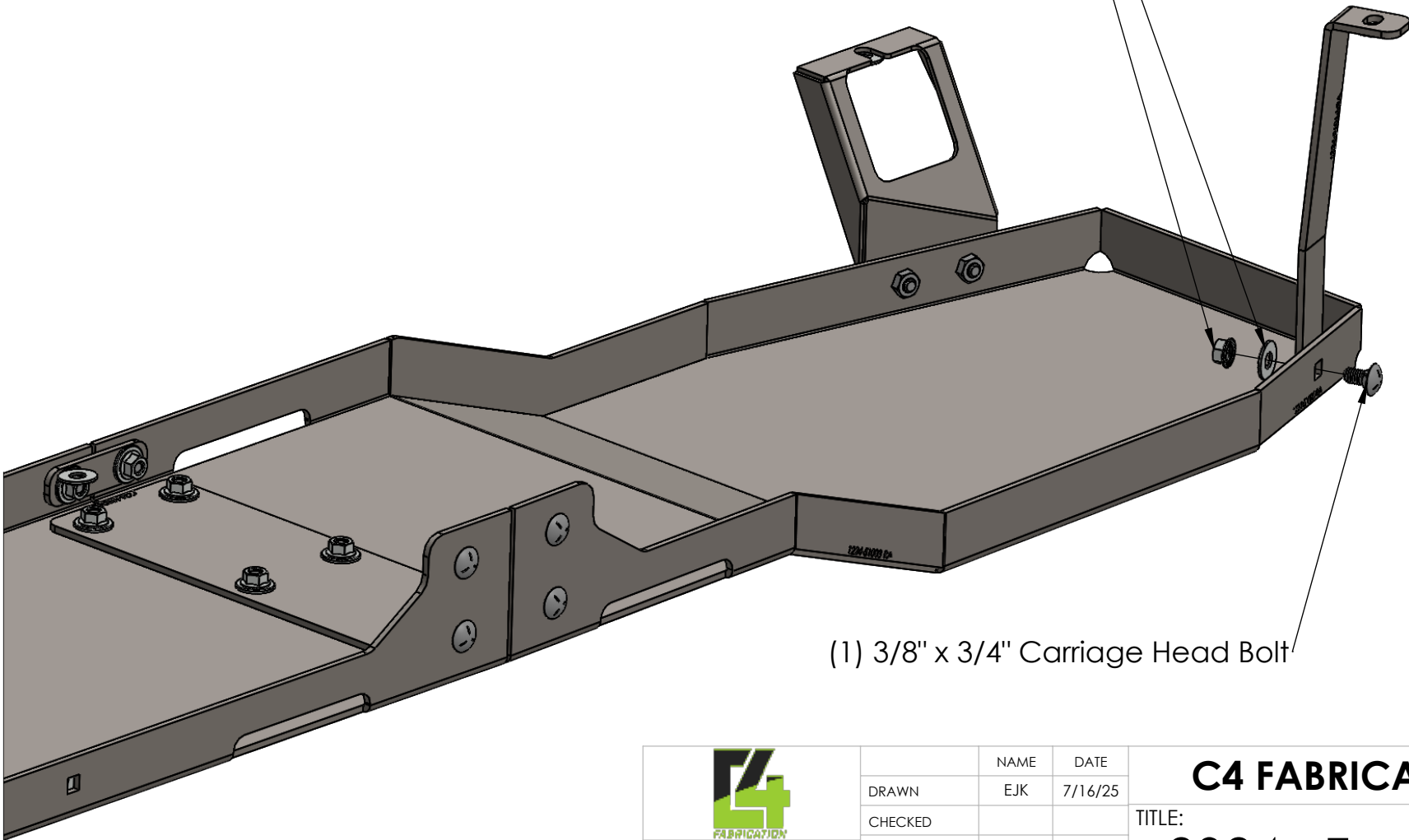
1

B

B

(1) 3/8" Flat Washer  
(1) 3/8" Flange Nut

(1) 3/8" x 3/4" Carriage Head Bolt



A

A



**PROPRIETARY AND CONFIDENTIAL**  
 THE INFORMATION CONTAINED IN THIS DRAWING IS THE SOLE PROPERTY OF C4 FABRICATION, LLC. ANY REPRODUCTION IN PART OR AS A WHOLE WITHOUT THE WRITTEN PERMISSION OF C4 FABRICATION, LLC IS PROHIBITED.

MATERIAL

	NAME	DATE
DRAWN	EJK	7/16/25
CHECKED		
ENG APPR.		
MFG APPR.		
Q.A.		
COMMENTS:		

### C4 FABRICATION

TITLE:  
**2024+ Tacoma Fuel Tank Skid**

SIZE	DWG. NO.	REV
<b>A</b>		

DO NOT SCALE DRAWING

SHEET 6 OF 11

2

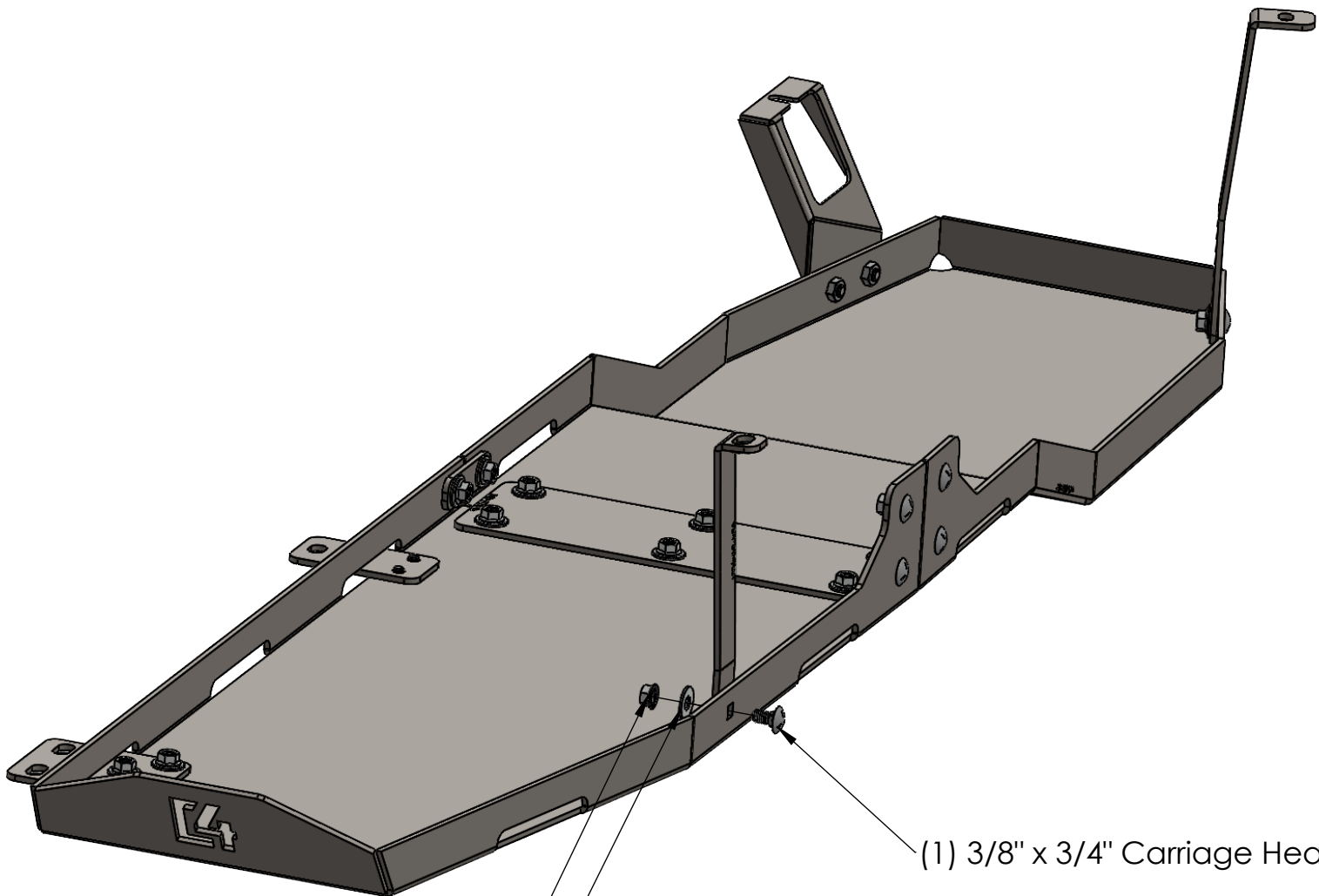
1

2

1

B

B



(1) 3/8" x 3/4" Carriage Head Bolt

(1) 3/8" Flange Nut

(1) 3/8" Flat Washer

A

A



**PROPRIETARY AND CONFIDENTIAL**  
 THE INFORMATION CONTAINED IN THIS DRAWING IS THE SOLE PROPERTY OF C4 FABRICATION, LLC. ANY REPRODUCTION IN PART OR AS A WHOLE WITHOUT THE WRITTEN PERMISSION OF C4 FABRICATION, LLC IS PROHIBITED.

MATERIAL

	NAME	DATE
DRAWN	EJK	7/16/25
CHECKED		
ENG APPR.		
MFG APPR.		
Q.A.		
COMMENTS:		

### C4 FABRICATION

TITLE:  
**2024+ Tacoma Fuel Tank Skid**

SIZE	DWG. NO.	REV
<b>A</b>		

DO NOT SCALE DRAWING

SHEET 7 OF 11

2

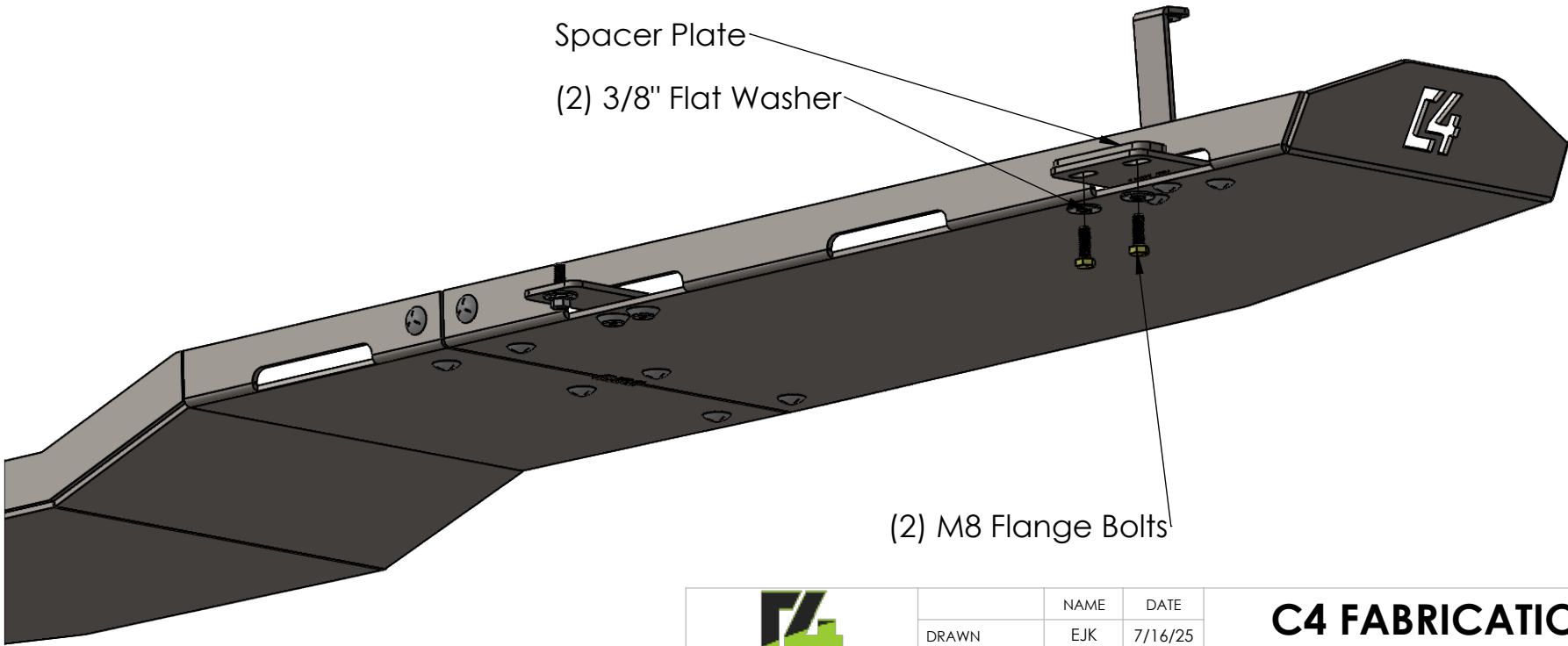
1

2

1

B

B



Spacer Plate  
 (2) 3/8" Flat Washer

(2) M8 Flange Bolts

A

A



**PROPRIETARY AND CONFIDENTIAL**  
 THE INFORMATION CONTAINED IN THIS DRAWING IS THE SOLE PROPERTY OF C4 FABRICATION, LLC. ANY REPRODUCTION IN PART OR AS A WHOLE WITHOUT THE WRITTEN PERMISSION OF C4 FABRICATION, LLC IS PROHIBITED.

MATERIAL

	NAME	DATE
DRAWN	EJK	7/16/25
CHECKED		
ENG APPR.		
MFG APPR.		
Q.A.		
COMMENTS:		

**C4 FABRICATION**

TITLE:  
**2024+ Tacoma Fuel Tank Skid**

SIZE	DWG. NO.	REV
<b>A</b>		

2

1

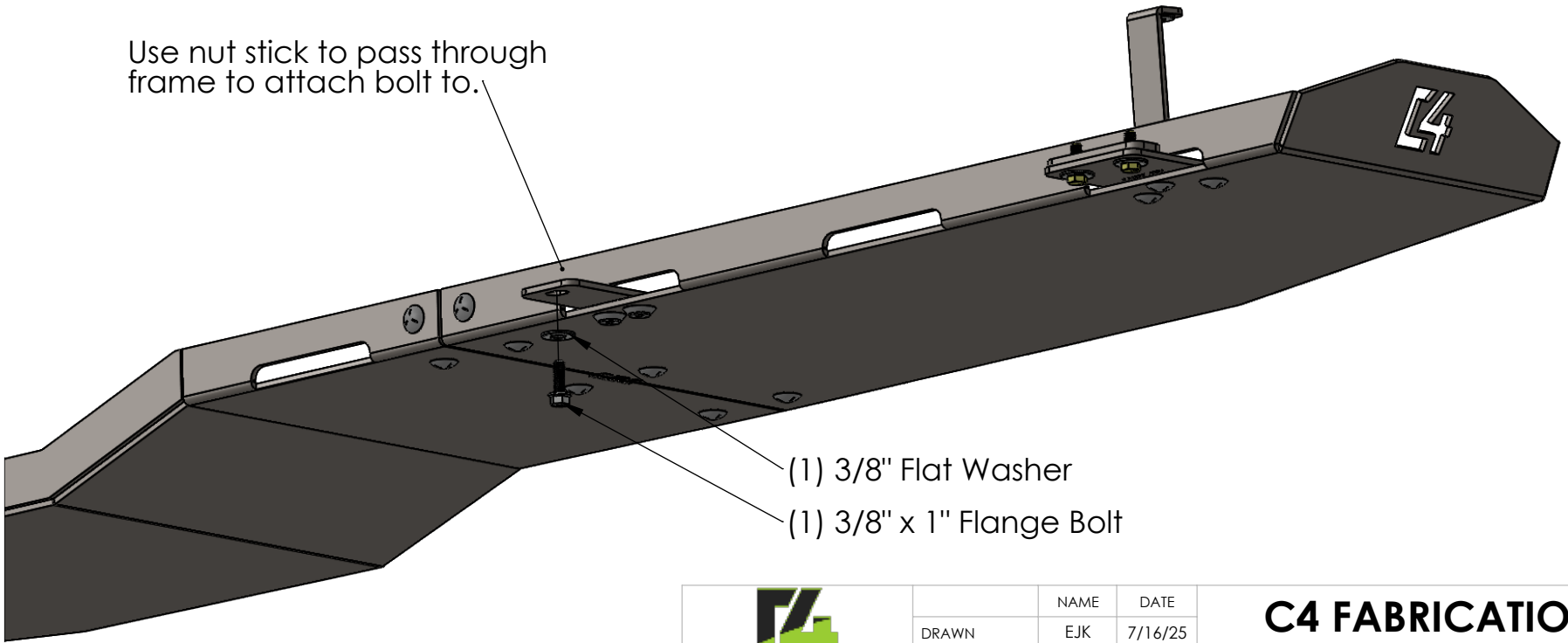
2

1

B

B

Use nut stick to pass through frame to attach bolt to.



(1) 3/8" Flat Washer

(1) 3/8" x 1" Flange Bolt

A

A



**PROPRIETARY AND CONFIDENTIAL**  
 THE INFORMATION CONTAINED IN THIS DRAWING IS THE SOLE PROPERTY OF C4 FABRICATION, LLC. ANY REPRODUCTION IN PART OR AS A WHOLE WITHOUT THE WRITTEN PERMISSION OF C4 FABRICATION, LLC IS PROHIBITED.

MATERIAL

	NAME	DATE
DRAWN	EJK	7/16/25
CHECKED		
ENG APPR.		
MFG APPR.		
Q.A.		
COMMENTS:		

### C4 FABRICATION

TITLE:  
**2024+ Tacoma Fuel Tank Skid**

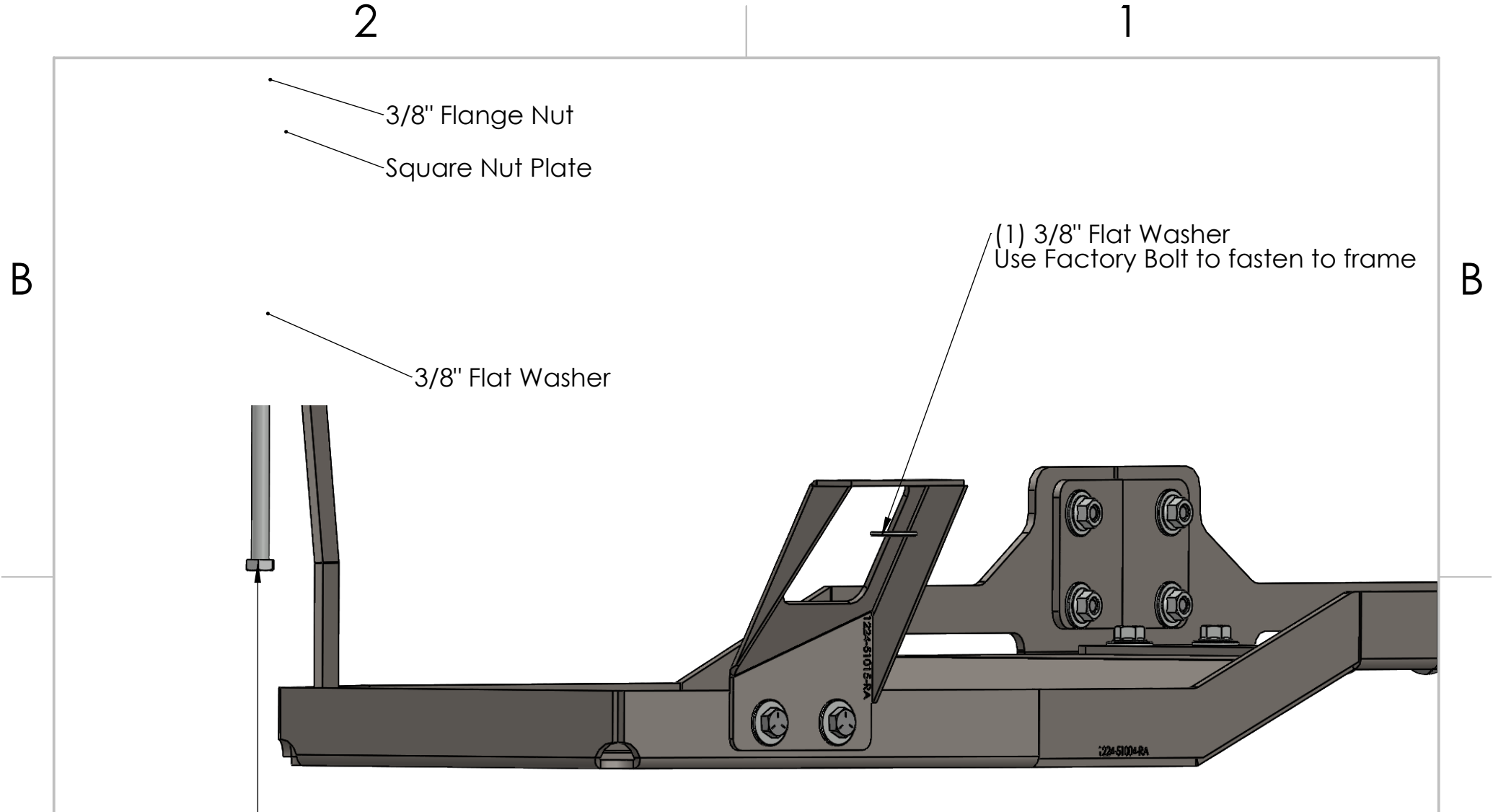
SIZE	DWG. NO.	REV
<b>A</b>		

DO NOT SCALE DRAWING

SHEET 9 OF 11


2

1



A

A

 <p><b>PROPRIETARY AND CONFIDENTIAL</b> THE INFORMATION CONTAINED IN THIS DRAWING IS THE SOLE PROPERTY OF C4 FABRICATION, LLC. ANY REPRODUCTION IN PART OR AS A WHOLE WITHOUT THE WRITTEN PERMISSION OF C4 FABRICATION, LLC IS PROHIBITED.</p> <p>MATERIAL</p>	NAME	DATE	<p><b>C4 FABRICATION</b></p> <p>TITLE: <b>2024+ Tacoma Fuel Tank Skid</b></p> <p>SIZE <b>A</b> DWG. NO. REV</p>	
	DRAWN	EJK		7/16/25
	CHECKED			
	ENG APPR.			
	MFG APPR.			
Q.A.			<p>DO NOT SCALE DRAWING</p>	
COMMENTS:				<p>SHEET 10 OF 11</p>

2

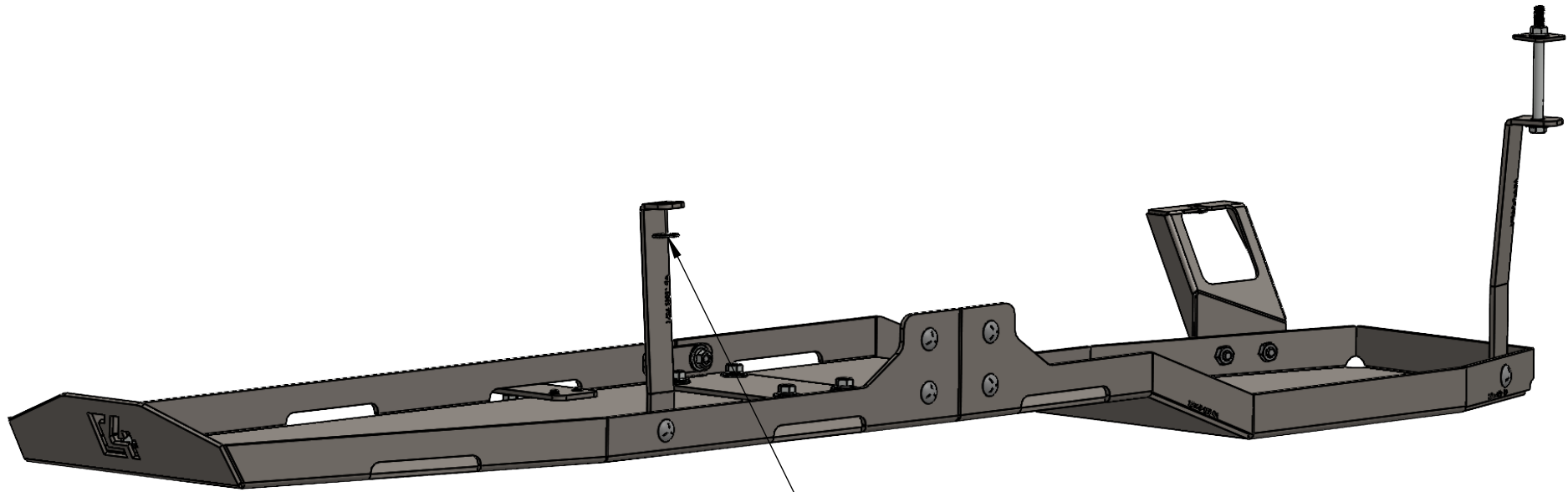
1

2

1

B


B



(1) 3/8" Flat Washer  
Use Factory Bolt to fasten to frame

A

A

 <p><b>PROPRIETARY AND CONFIDENTIAL</b> THE INFORMATION CONTAINED IN THIS DRAWING IS THE SOLE PROPERTY OF C4 FABRICATION, LLC. ANY REPRODUCTION IN PART OR AS A WHOLE WITHOUT THE WRITTEN PERMISSION OF C4 FABRICATION, LLC IS PROHIBITED.</p> <p>MATERIAL</p>		NAME	DATE	<p><b>C4 FABRICATION</b></p> <p>TITLE: <b>2024+ Tacoma Fuel Tank Skid</b></p> <p>SIZE <b>A</b> DWG. NO. REV</p> <p>DO NOT SCALE DRAWING SHEET 11 OF 11</p>
	DRAWN	EJK	7/16/25	
	CHECKED			
	ENG APPR.			
	MFG APPR.			
	Q.A.			
	COMMENTS:			

2

1